

Technical service bulletin

Burner Tube Gasket Position

Installation manual supplement

Introduction

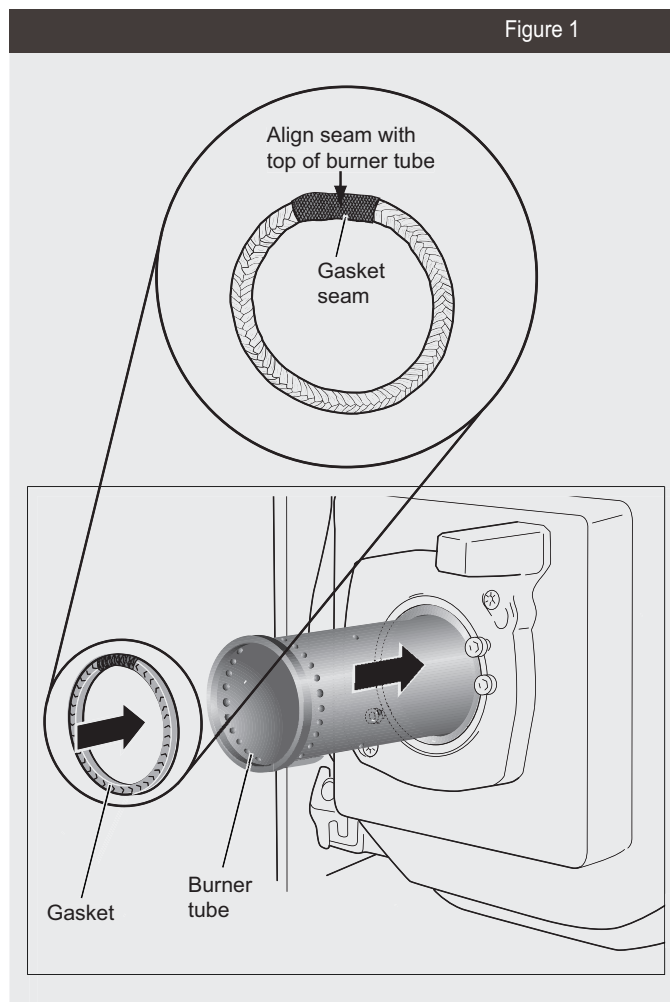
- The purpose of this bulletin is to provide a detailed instruction for proper installation of the burner gasket for the Buderus low NOx burners.

Reference Document

- Installation and Service Instructions Logatop Be 1.3 And 2.3 Low Emissions Oil Burner 7747010548 (01/2007) US
- Installation and Service Instructions Logatop BE 1.3GB and 2.3GB Low Emissions Oil Burner for Condensing Boiler 6720615078 (10/2007) US

Procedure

- Place gasket seam in the 12 O'Clock position and align seam with the top of the burner tube. (Figure 1)



Buderus

Bosch Thermotechnology Corp.
50 Wentworth Ave
Londonderry, NH 03053

Tel: (603) 552-1100
Fax: (603) 584-1681
www.buderus.net