

Product Quality Notice

Buderus

Notice number: **PQN-03**

Affected product: **Logalux SM300 Tanks**

Subject: **lower magnesium anode rod**

Affected product

Logalux SM300/1 Tank "Blue" (Part-# 7747021398)
Logalux SM300/1 Tank "White" (Part-# 77477021397)

Affected Serial Numbers (Fig. 1):
(see example for instructions how to read serial number):

- SM300/1 "Blue": All tanks prior to S/N: 251000-09DDD-00306-7747021398
- SM300/1 "White": All tanks prior to S/N: 251000-08DDD-00199-7747021397

Serial number example:

Ser -Nr. 251010 - **09160** - **00214** -7747021398

Date code

Counter number

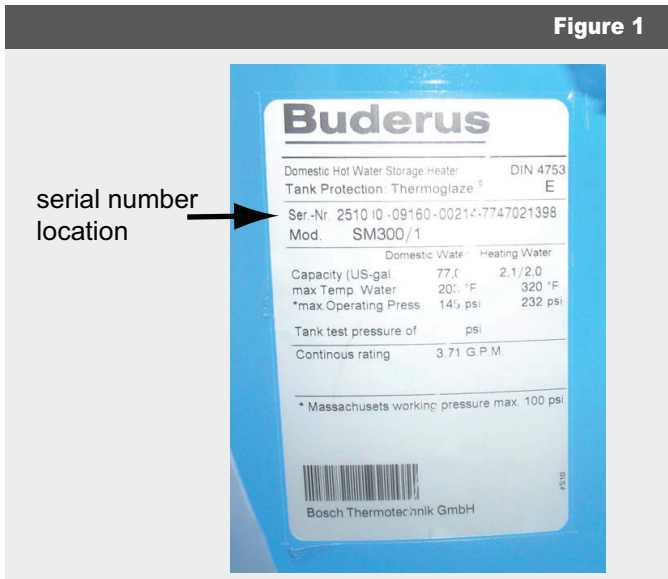
- The first two digits in the Date code indicate the production year (e.g. '08XXX' = 2008 ; '09XXX' = 2009)
- The five digits that make up the Counter number provide the count number for the unit. In this example, the tank is the 214th produced in 2009

All BLUE and WHITE tanks made in 2008 are affected.

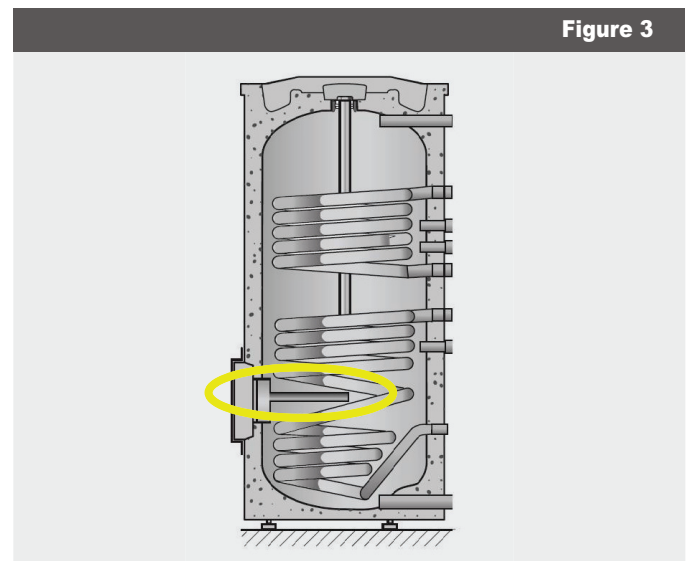
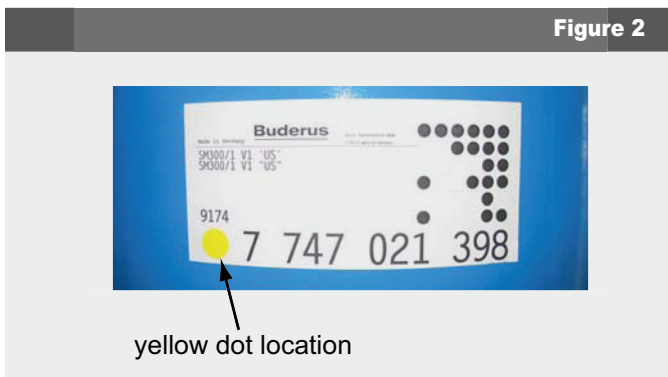
Only tanks made in 2009 with a counter number less than 306 are affected.

Background

The SM 300 tanks with the above serial numbers were produced with a single lower magnesium anode rod (p/n 5592176 - see fig 3.).



Note: Units marked with a yellow dot are not affected (Fig. 2).



Subsequently, to achieve a longer service interval between anode replacements and to provide additional protection of the tank, a second (lower) anode rod was incorporated into

the design. All of the tanks are safe and effective; however, the additional anode rod provides increased robustness to the design.

Buderus is providing retrofit kits free of charge to customers who own SM300 tanks within the affected serial number range. The kit contents include a lower anode rod (Fig 3.) and clean out cover along with a set of retrofit work instructions. To obtain a kit free of charge, contact Buderus customer service at 1-800-283-3787. A labor allowance of \$200 will be granted to the customer who provides photo evidence of the tank serial number and the replaced clean out cover. Wholesalers carrying affected inventory may return the tanks to Buderus for exchange or order lower anode retrofit kits free of charge.

Warranty statement

The warranty coverage of the SM300 tanks is not affected by the lower (second) anode rod as long as the tank and the anode are maintained per the manufacturer's instructions. See Buderus DHW tank warranty statement for details.

Buderus

Bosch Group

Bosch Thermotechnology Corp.
50 Wentworth Ave
Londonderry, NH 03053
Tel: (603) 552-1100
Fax: (603) 584-1681
www.buderus.net