

Service Bulletin EP-01

Models: AE115, AE125, RP17PT, RP27PT

Neon Light Off - Water Not Hot



BOSCH

PowerStar AE115 & AE125 Powerstream Pro RP17PT & RP27PT



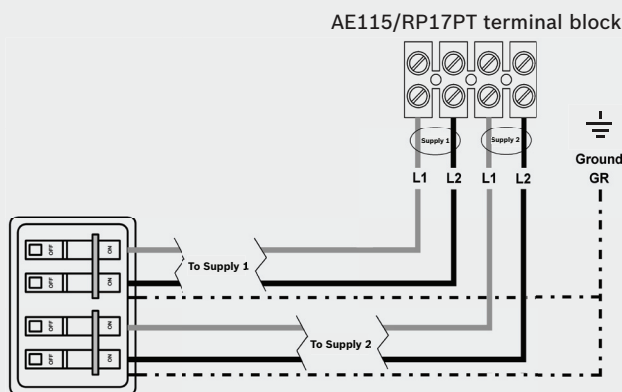
WARNING

ELECTRICITY IS EXTREMELY DANGEROUS. TAKE EXTRA PRECAUTIONS AND ENSURE ALL CIRCUIT BREAKERS ARE OFF BEFORE PERFORMING ANY WORK ON THE HEATER.

Neon Light Off - Water Not Hot

1. Check electrical supply. The AE115 and RP17PT require two independent 240VAC circuits protected by two separate and independent double pole breakers rated at 40 amps each. See Fig. 1. Minimum wire size is #8 AWG.

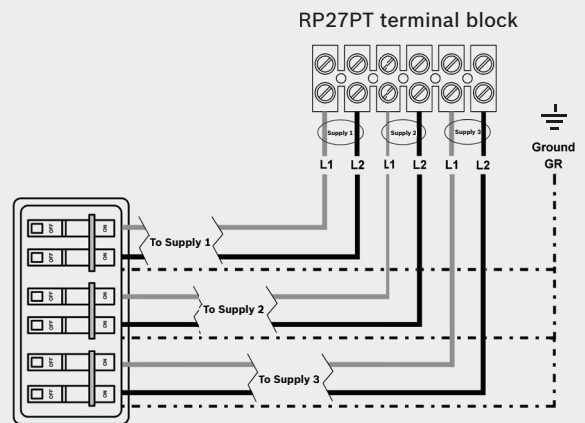
Figure 1



2 independent
40 amp double-pole
circuit breakers

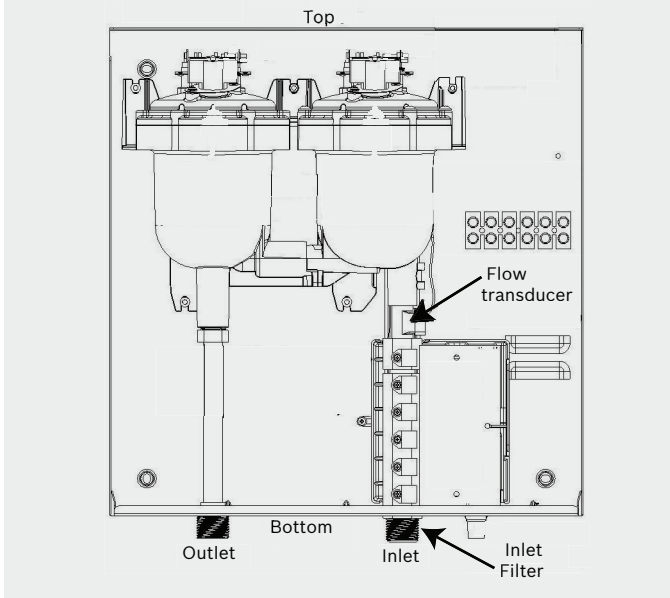
The AE125 and RP27PT require three independent 240VAC circuits protected by three separate and independent double pole breakers rated at 40 amps each. See Fig. 2. Minimum wire size is #8 AWG.

Figure 2



3 independent
40 amp double-pole
circuit breakers

2. Verify that plumbing connections are correct. Inlet water supply must be connected to inlet of heater (marked blue, on right side).
 3. Verify minimum flow rate for activation. The AE115 and RP17PT require 0.6 GPM (@ 15 PSI minimum water pressure). The AE125 and RP27PT require 0.8 GPM (@ 15 PSI minimum water pressure).
 4. Check for plumbing crossover. Turn power supply to heater off. Turn cold water supply off to the heater, then open each hot water faucet. No water flow should be evident. If there is even a trickle of water flow, then there is a plumbing crossover and it must be corrected for the heater to operate properly.
- Note:** Ensure that heater is filled with water before restoring power to the heater.
5. Check inlet filter screen. See Fig. 3.

Figure 3

6. Check flow transducer. See Fig. 3. Turn off power supply to heater. Remove front cover and with a flashlight, visually observe if the flow transducer spins when a hot water tap is turned on and off. Verify transducer connection to circuit board. Circuit board cover will need to be removed.
7. Circuit board failure. Call Bosch Technical Support.



BOSCH

Bosch Thermotechnology Corp.
50 Wentworth Avenue
Londonderry, NH 03053

Tel: 1-866-642-3198
Fax: 1-603-584-1681
www.boschpro.com