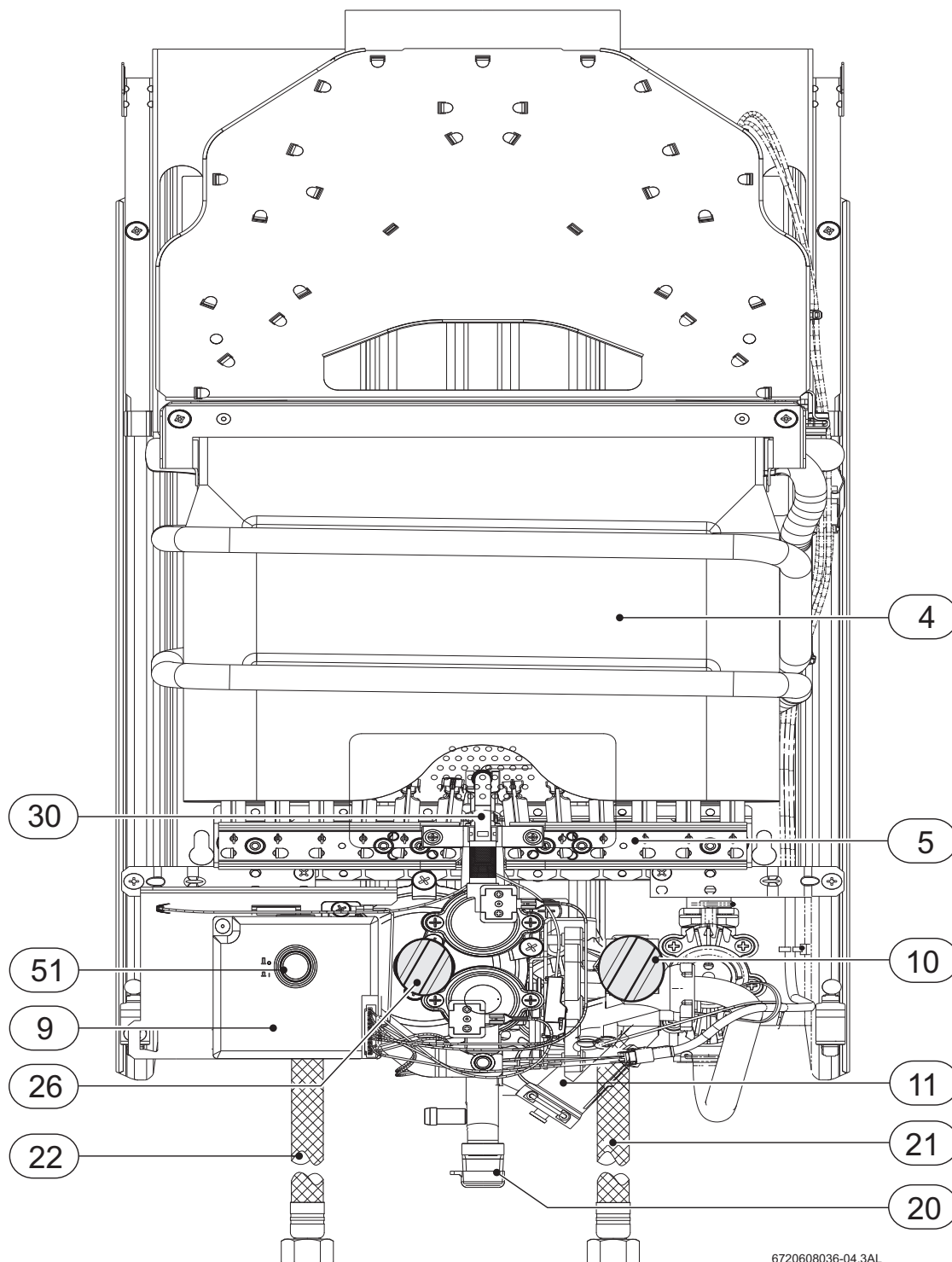


8 Interior components and diagram parts list

8.1 Interior components



6720608036-04.3AL

Fig. 27 Functional scheme

4	Heat exchanger	22	Flexible hot outlet
5	Burner	26	Power adjustment knob
9	Ignition unit	30	Pilot burner
10	Flow control knob	51	on/off button
11	Water valve		
20	Gas connection		
21	Flexible cold inlet		

8.2 Components diagram

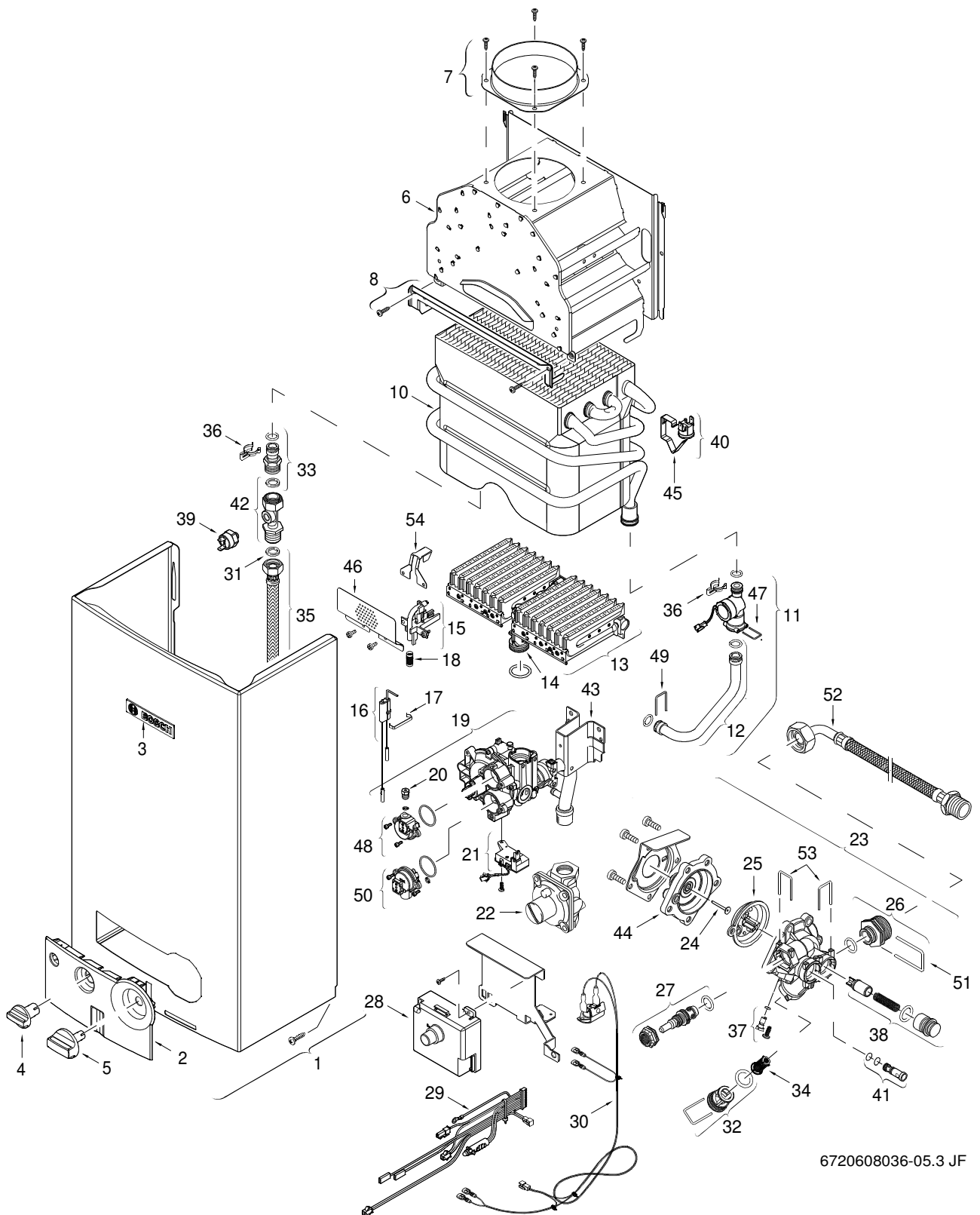


Fig. 28 Components Diagram

8.3 Parts list

Item	Description	Reference
1	Front cover	8 705 431 415 0
2	Shield	8 705 506 912 0
3	Trade mark badge	8 701 103 135 0
4	Flow control knob	8 702 000 297 0
5	Power adjustment knob	8 702 000 295 0
6	Draft Diverter	8 705 505 442 0
7	Exhaust pipe union Ø128	8 705 504 046 0
8	Angle bracket	8 708 003 192 0
10	Heat exchanger	8 705 406 386 0
11	Hydrogenerator	8 707 406 095 0
12	Cold water pipe	8 700 715 109 0
13	Main burner NG	8 708 120 620 0
13	Main burner LP	8 708 120 621 0
14	Connector	8 705 209 056 0
15	Pilot burner	8 708 105 655 0
16	Electrode/sensor group	8 708 107 013 0
17	Ignitor bracket	8 701 300 010 0
18	Pilot screen	8 700 507 066 0
19	Gas valve LP	8 707 011 922 0
19	Gas valve NG	8 707 021 011 0
20	Pilot orifice LP	8 708 200 321 0
20	Pilot orifice NG	8 708 200 322 0
21	Microswitch	8 707 200 020 0
22	Gas pressure regulator LP	8 707 406 083 0
22	Gas pressure regulator NG	8 707 406 084 0
23	Water valve	8 707 006 344 0
24	Water valve pushrod	8 703 204 051 0
25	Diaphragm	8 700 503 084 0
26	Inlet water connection	8 700 306 110 0
27	Selector screw	8 708 500 304 0
28	Ignition unit	8 707 207 272 0
29	Cable	8 704 404 060 0
30	Flue gas sensor	8 707 206 446 0
31	Heat exchanger washer	8 700 103 658 0
32	Threaded bushing	8 700 306 148 0
33	Connector	8 700 306 187 0
34	Water Filter	8 700 507 059 0
35	Outlet Hose	8 700 703 139 0
36	Water connection clip	8 701 201 020 0
37	Plunger	8 703 502 039 0
38	Volumetric water governor	8 705 705 034 0
39	ECO/temperature limiter	8 707 206 017 0
40	Temperature limiter/ECO	8 707 206 435 0
41	Venturi	8 708 205 279 0
42	Hot water pipe	8 700 705 178 0
43	Gas supply pipe	8 700 715 351 0
44	Cover	8 705 500 105 0
45	Clip	8 701 300 015 0
46	Protection shield	8 701 000 397 0
47	Wire form spring	8 704 705 030 0
48	Pilot valve	8 708 501 249 0
49	Wire form spring	8 704 705 025 0
50	Servovalve	8 708 501 250 0
51	Wire form spring	8 704 705 024 0
52	Inlet Hose	8 700 703 114 0
53	Wire form spring (10x)	8 704 705 029 0
54	Protection shield	8 701 000 414 0

Table 5