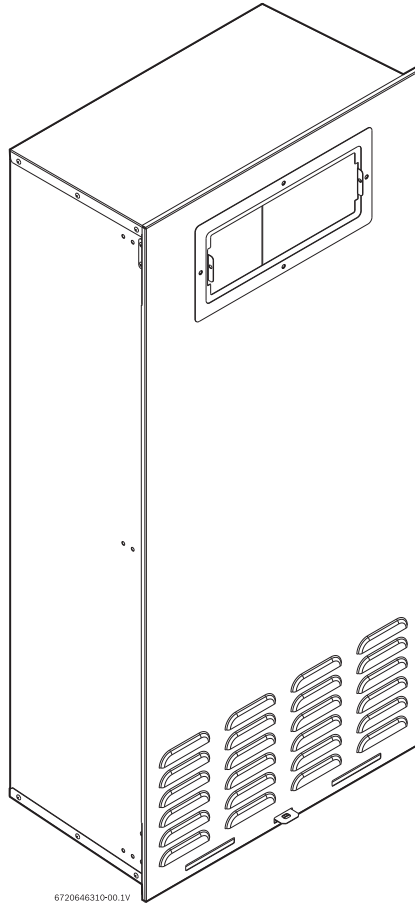


# Installation Instructions

# Recess Box



Part no. 7 736 500 043



6720646310-00.1V

6 720 646 310 (2011/05) US



**BOSCH**



# 1 Installation using the Recess Box (7 736 500 043)

The recess box is approved for use with the following models: C1210ES/ESC, C1050ES, C950ES, 940ESO, 830ES.

The recess box kit includes:

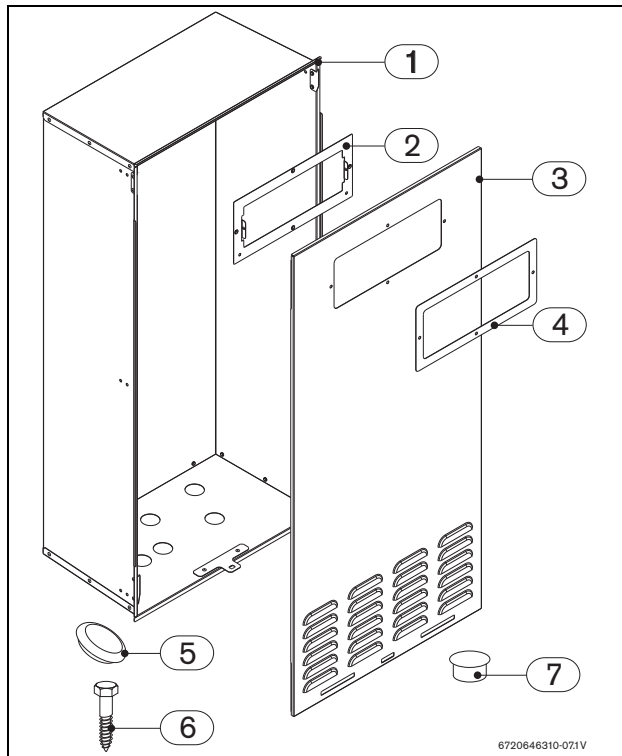


Fig. 1

- 1 Recess box
- 2 Inner exhaust flange
- 3 Front cover
- 4 Outer exhaust flange
- 5 Grommets (x6)
- 6 Screws (x6)
- 7 T-plug for condensate opening

**Caution:** The outdoor kit (BTOK) accessory must be installed on models C1210ES/ESC, C1050ES, C950ES, and 830ES prior to mounting the heater in the recess box. Do not operate these models without the outdoor kit accessory installed.

## 1.1 Heater placement and clearances



**Warning:** The appliances approved for use with the recess box are not designed to be installed outdoors in climates that commonly fall below freezing (32°F).



**Warning:** the freeze prevention kit on the water heaters are designed to provide protection from temperatures down to approximately 5°F for short term conditions only. It will not protect the appliance in areas where the temperature is routinely expected to be below freezing. The freeze prevention kit will not protect plumbing outside the appliance from freezing. Precautions must be taken:  
\* Always drain the water heater if it will be exposed to long term freezing conditions.



**Warning:** The water heater with recess box accessory is intended for an outdoor installation only.

**Do not install the Recess box:**

- Under a deck or patio.
- On side of the building with prevailing winter winds.
- Close to plants or trees.
- In areas where people or animals can accidentally touch louvered exhaust openings.

The Recess box should be installed so the discharge vent maintains the minimum allowable clearances as required by the local authority. Where no local requirement exists, maintain the following minimum suggested clearances from building openings as shown in Fig. 2.

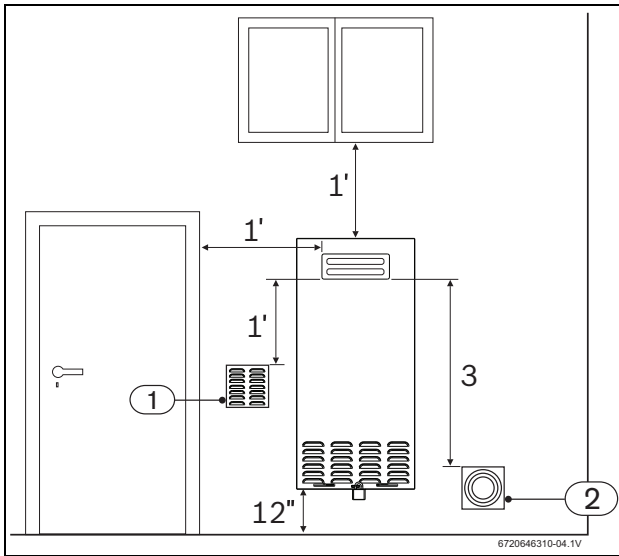


Fig. 2 Discharge vent clearances

- 1 Non-mechanical inlet<sup>1)</sup>
- 2 Mechanical inlet<sup>1)</sup>

1) Clearance applies only to vent inlets within 10 feet.

**i** Top, front, and side clearances noted on the front cover of the water heater are not applicable when installed in a Recess box.

Maintain a clean area in front of the appliance of 4 feet (1,2m).



**Warning:** Improper installation! This recess box has been designed to be mounted in a wall cavity with exhaust vent discharging to the outdoors. Do not install the recess box in another configuration. Damages resulting from an improper installation will not be covered by Bosch limited warranty.

**1.1.1 Wall Preparation**

**Dimensions of Recess Box**

When building the wall cavity for the recess box, make preparations for the water and gas lines and electrical wires as well.

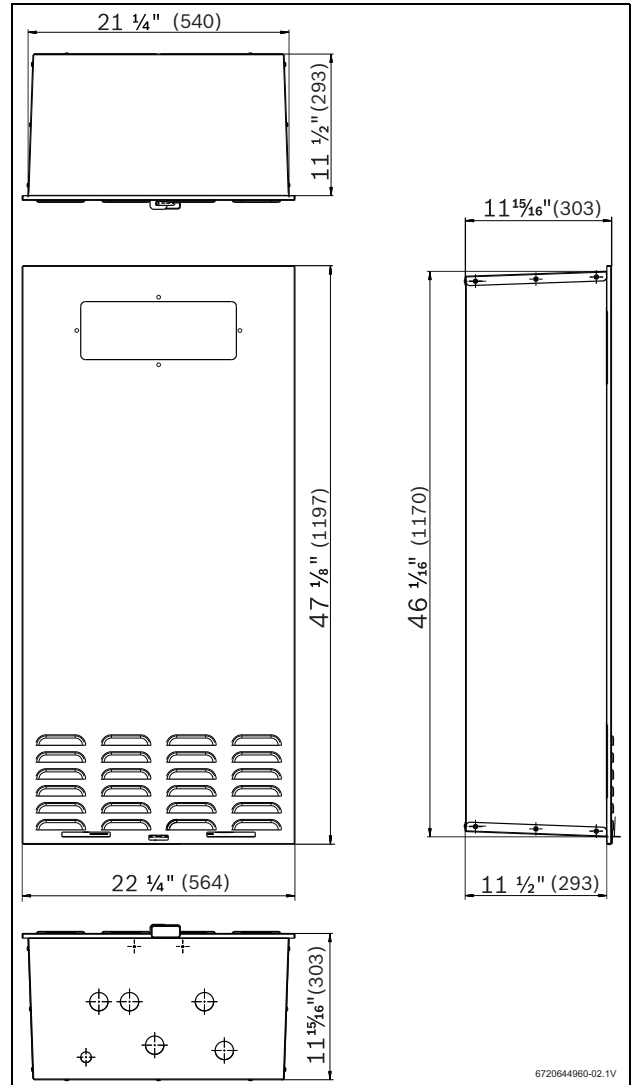


Fig. 3 Recess box dimensions in inches (mm)

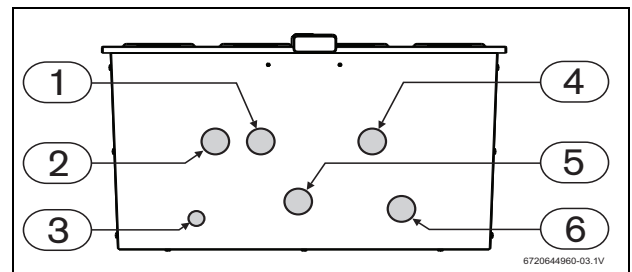


Fig. 4 Recess box plumbing/electrical openings

- 1 Hot water opening
- 2 Pressure relief valve opening
- 3 Electrical opening
- 4 Cold water opening
- 5 Gas opening
- 6 Condensate opening<sup>1)</sup>

1) Not used for non-condensing appliances.

### Building wall cavity

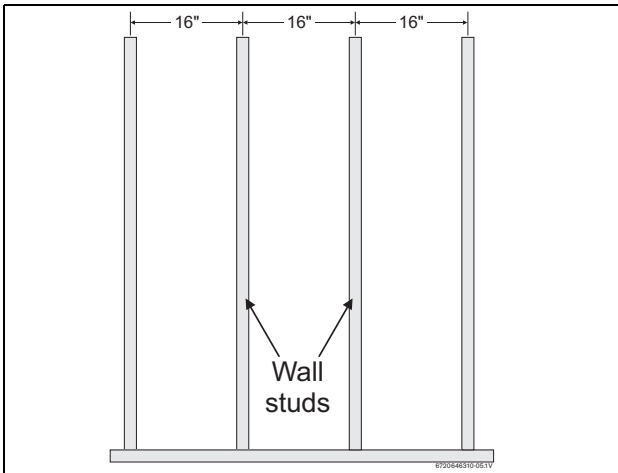


Fig. 5 Before wall cavity

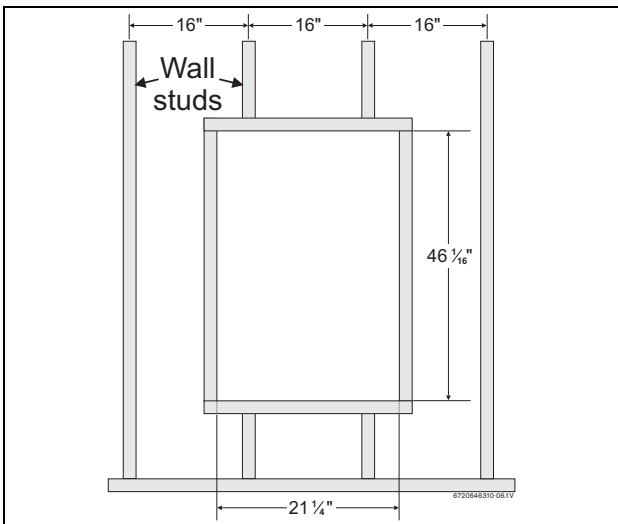


Fig. 6 After wall cavity

### 1.2 Before install Recess box



It is strongly recommended to place silicone in the Recess box as indicated.

- ▶ Carefully, place silicone inside of the recess box, on the bottom side and rear edges and on top of the rivets, see Fig. 7.

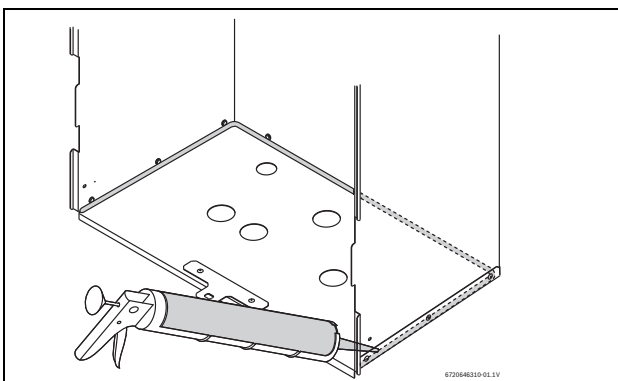


Fig. 7 Silicone inside the recess box

- ▶ Put silicone along the outside flange of the recess box where it will seat against the wall framing, see Fig. 8.



This should be done just prior to inserting the recess box inside the wall cavity.

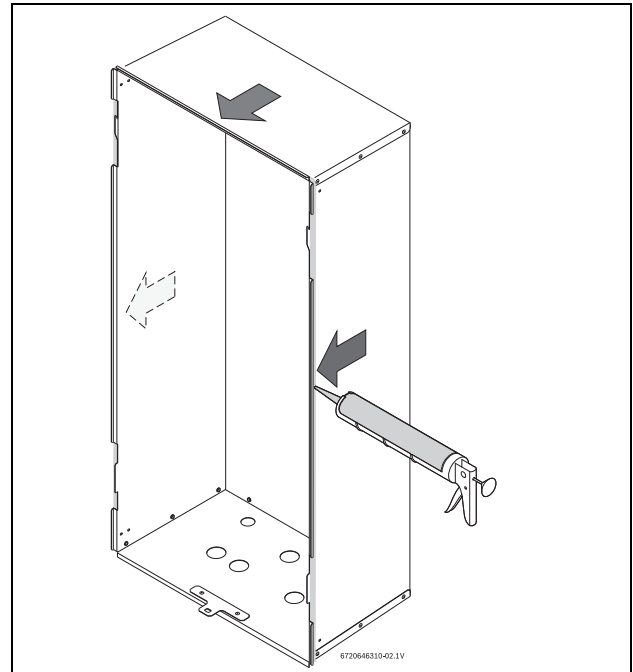


Fig. 8 Silicone outside the recess box

- ▶ It's also recommended to place silicone between grommets used for the wires and power supply plug, in order to assure the best protection against any leakage.

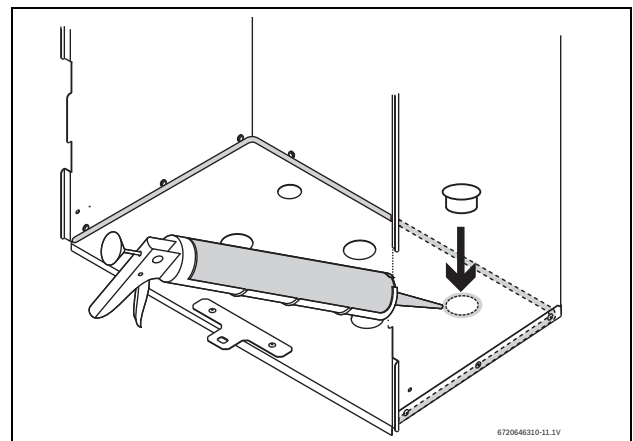


Fig. 9 Silicone condensate opening (non-condensing appliances only)

- ▶ Once installed in the wall cavity, apply more silicone along the entire perimeter of the recess box flange where it rests against the wall cavity.
- ▶ If installing a non-condensing model (e.g. 830ES, 940ES or 940ESO) in the recess box, the condensate opening (Fig. 4, item 6) must be sealed. Use the supplied T-plug (Fig. 1, item 7) to seal the opening as in Fig. 9. The wide end of the plug should

be on the inside of the recess box. Once installed, place silicone around the plug for additional protection against leakage.

### 1.3 Installation of Recess box

- Place recess box inside wall cavity. When installation is complete, the recess box cover should be flush with the exterior siding of the building.

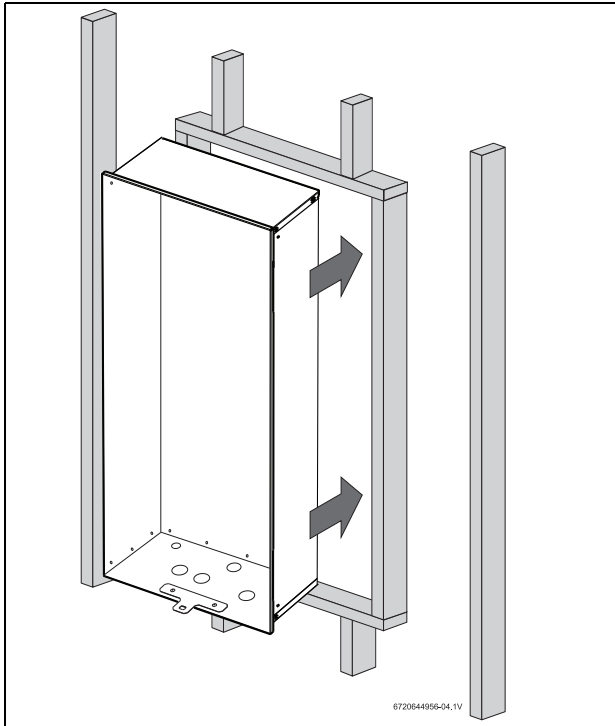


Fig. 10 Mounting recess box

- Secure recess box to wall studs using supplied lag screws. See Fig. 7. Be sure to use all of the supplied lag screws to secure the box.

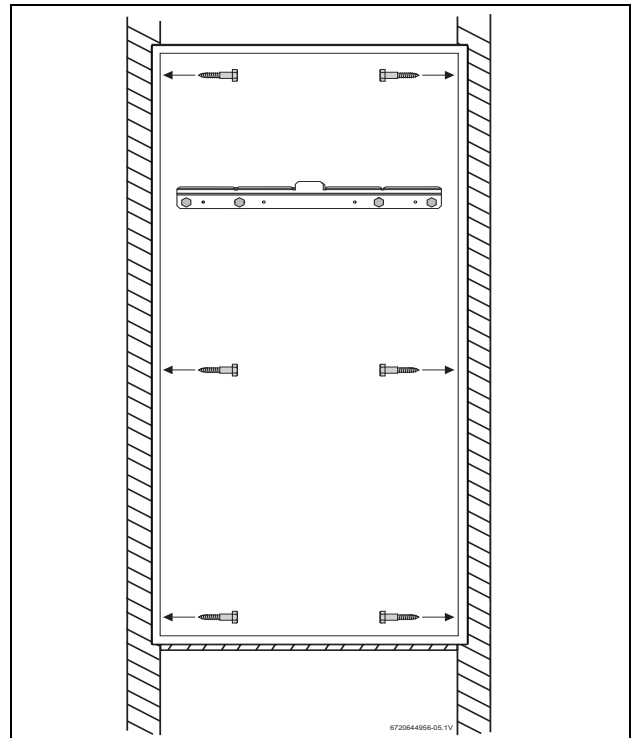


Fig. 11 Screwing the recess box to the studs



**Warning:** Appliance must be installed vertically.

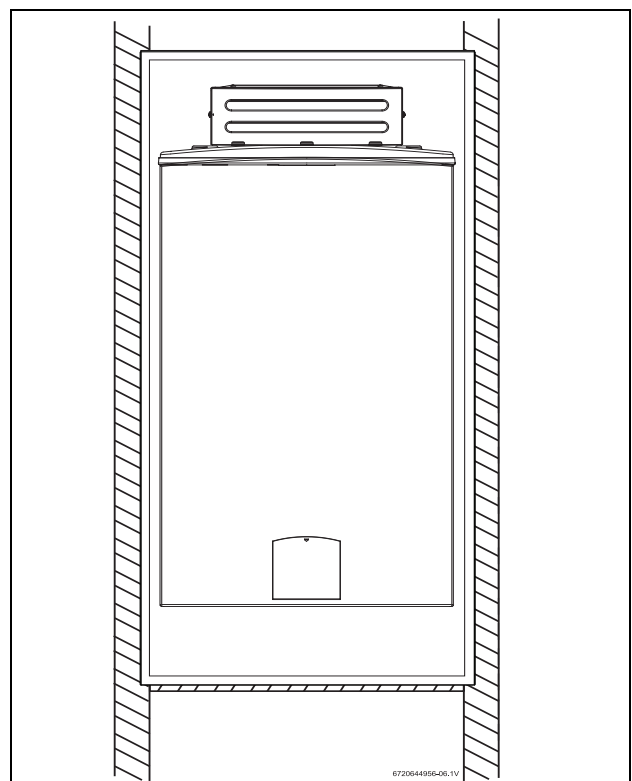


Fig. 12 Mounting the heater inside recess box

**To install the inner exhaust flange on the heater;**

- ▶ Loosen two side screws and remove the protection grill from the Outdoor vent cap.

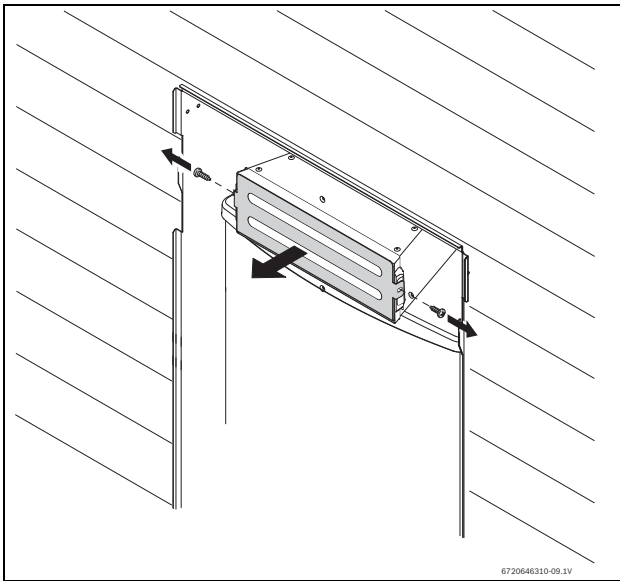


Fig. 13

- ▶ Tilt the inner exhaust flange in one direction, as shown in Fig. 14.
- ▶ Push the flange on to the Outdoor vent cap.

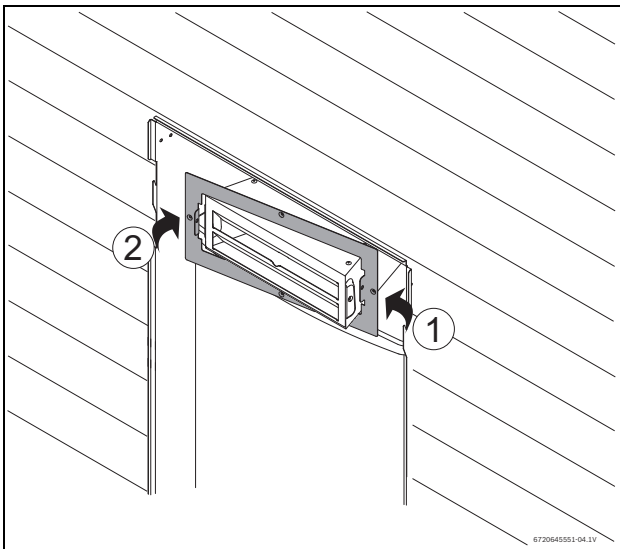


Fig. 14

- ▶ Reinstall the protection grill on the Outdoor vent cap.

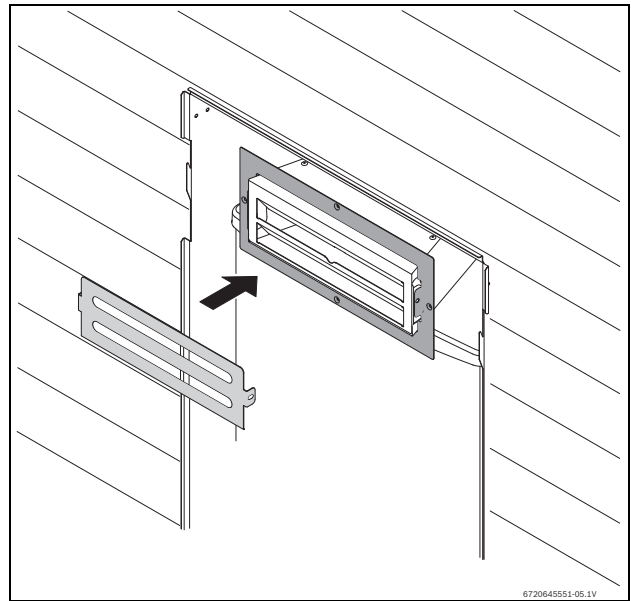


Fig. 15

- ▶ Secure the inner flange and protection grill with two screws.

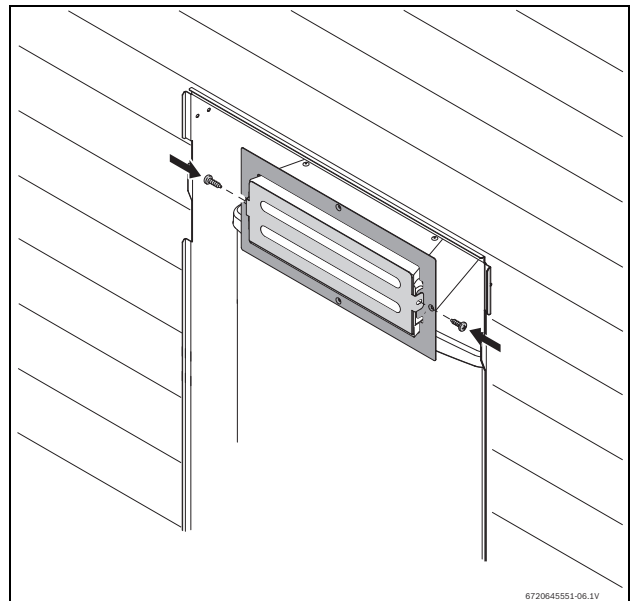


Fig. 16

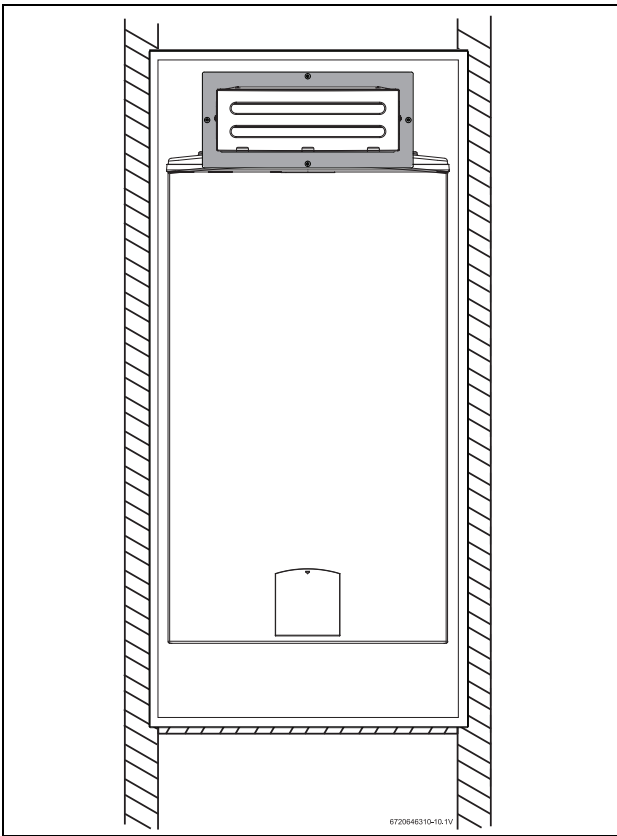


Fig. 17 Mounting the heater inside recess box

► Position the recess box cover as shown in Fig. 18.

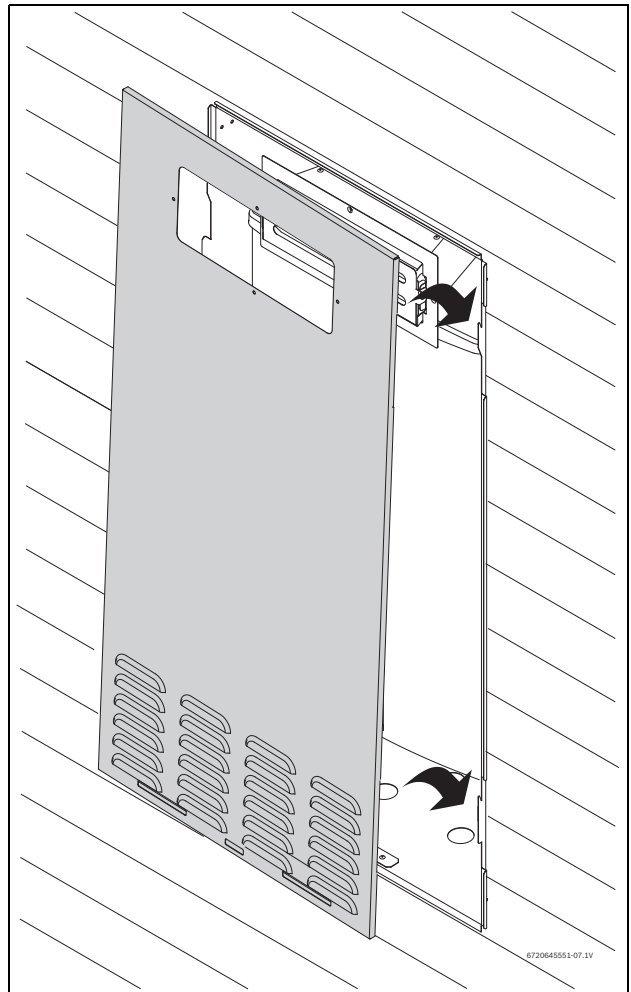


Fig. 18

- ▶ Install outer exhaust flange with 4 screws and silicone washers to secure recess box cover.  
**NOTE:** To remove cover, outer exhaust flange must be removed first.

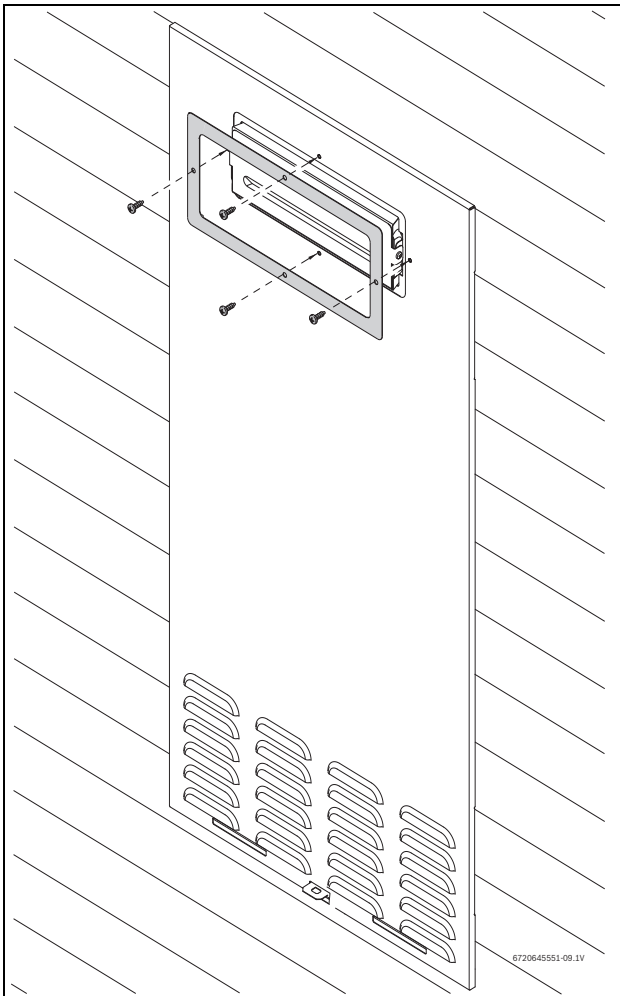


Fig. 19

- ▶ Close the recess box cover with padlock (optional).

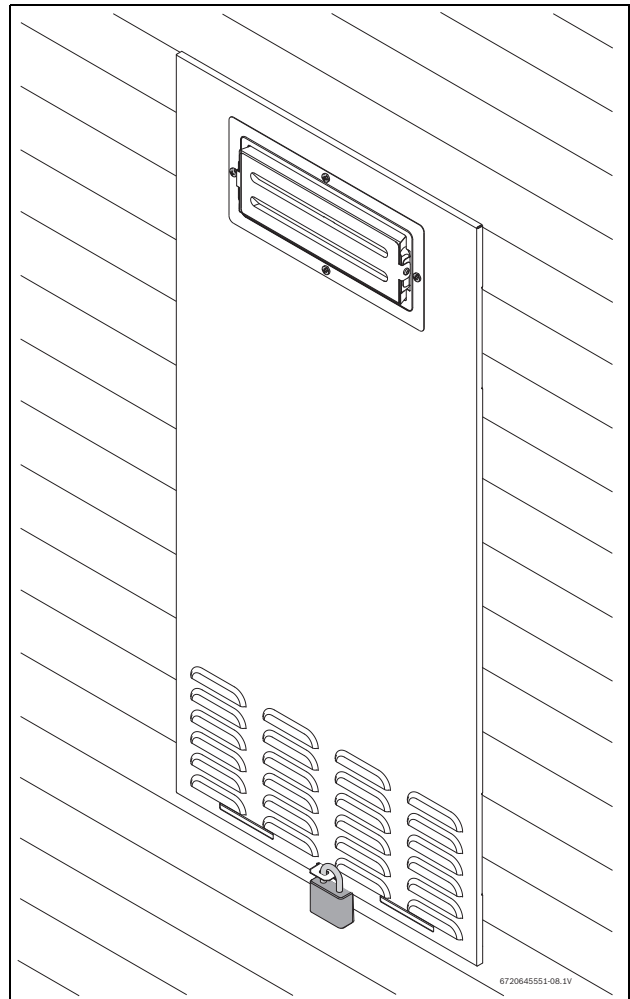


Fig. 20 Completed recess box installation



After installation, properly flash and repair siding around recess box per current construction standards.











6720646310

Replacement Parts available from:

**BOSCH THERMOTECHNOLOGY CORP.**

50 Wentworth Avenue  
Londonderry, NH 03053  
Tel. 866-330-2730  
[www.bosch-climate.us](http://www.bosch-climate.us)

Bosch Termotecnologia SA  
Estrada de Cacia  
3800 - 533 Cacia - PORTUGAL