

Technical Service Bulletin:

E1 Error Code Troubleshooting

Models: C1210ESC, C1210ES, C1050ES, C950ES, 940ES, 940ESO, 830ES



BOSCH

Introduction

The following procedures are for gathering information to assist Bosch Tech Support in determining the cause and solution to the problem. Unplug power cord and remove outer and inner covers from heater (refer to Installation Manual).

E1 Error code explanation:

Temperature over 185° F at outlet temperature sensor

Tools needed:

- ▶ Ohmmeter/ multimeter
- ▶ Phillips head screwdriver

Procedure

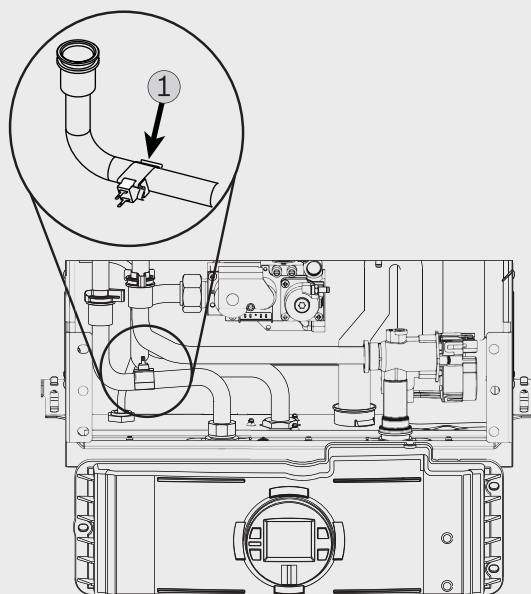
1. Check hot water temperature sensor:
 - a. Sensor must be clean and mounted on clean pipe (Fig.1, pos.1).

- b. Sensor wire connection must be clean and tight.
- c. Check sensor resistance. See Technical Service Bulletin *Checking and Replacing Temperature Sensors*

2. Verify that the P2 fan speed is set to the correct value. Fan speed value will vary depending on heater model, vent length and altitude. Refer to the water heater's installation manual for proper fan speed settings.

3. May indicate scale build up in heat exchanger. In more advanced cases, E1 may be accompanied by E9, A7 and/or banging or knocking noises when heater is operating. See Technical Service Bulletin *Descaling*.

Figure 1



Note: Control unit removed and lowered into service position to expose hot water pipe.



BOSCH

Bosch Thermotechnology Corp.
50 Wentworth Avenue
Londonderry, NH 03053

Tel: 1-800-283-3787
Fax: 1-603-584-1687
www.bosch-climate.us