

Technical Service Bulletin:

# E9 Error Code Troubleshooting

Models: C1210ESC, C1210ES, C1050ES, C950ES, 940ES, 940ESO, 830ES



# BOSCH

## Introduction

The following procedures are for gathering information to assist Bosch Tech Support in determining the cause and solution to the problem. Unplug power cord and remove outer and inner covers from heater (refer to Installation Manual).

## E9 Error code explanation:

Temperature over 220° F at temperature limiter/ECO.

## Tools needed:

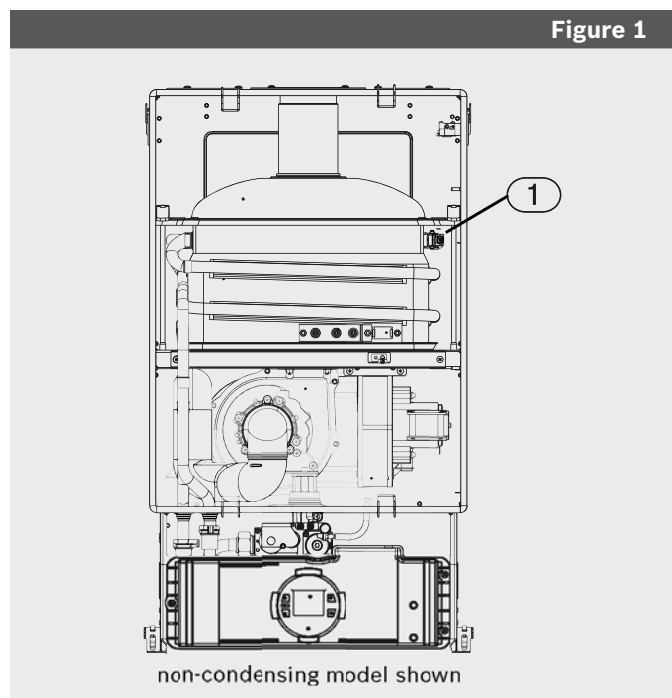
- ▶ Ohmmeter/ multimeter
- ▶ Phillips head screwdriver

## Procedure

1. Check temperature limiter/ECO on upper right side of copper heat exchanger (Fig.1, pos.1):

- a. White wire connections must be tight and clean on sensor.
  - b. White wire connections must be tight in wire harness.
  - c. Turn off power to heater and run cold water through heater for several minutes. Check continuity through temperature limiter. If open (no resistance), replace limiter.
2. May indicate scale build up in heat exchanger. In more advanced cases, E9 may be accompanied by E1, A7 and/or banging or knocking noises when heater is operating. See Technical Service Bulletin *Descaling*.

Figure 1



# BOSCH

Bosch Thermotechnology Corp.  
50 Wentworth Avenue  
Londonderry, NH 03053

Tel: 1-800-283-3787  
Fax: 1-603-584-1687  
[www.bosch-climate.us](http://www.bosch-climate.us)