

Switch Modes

Solar loop 1
Buffer bypass (PB)

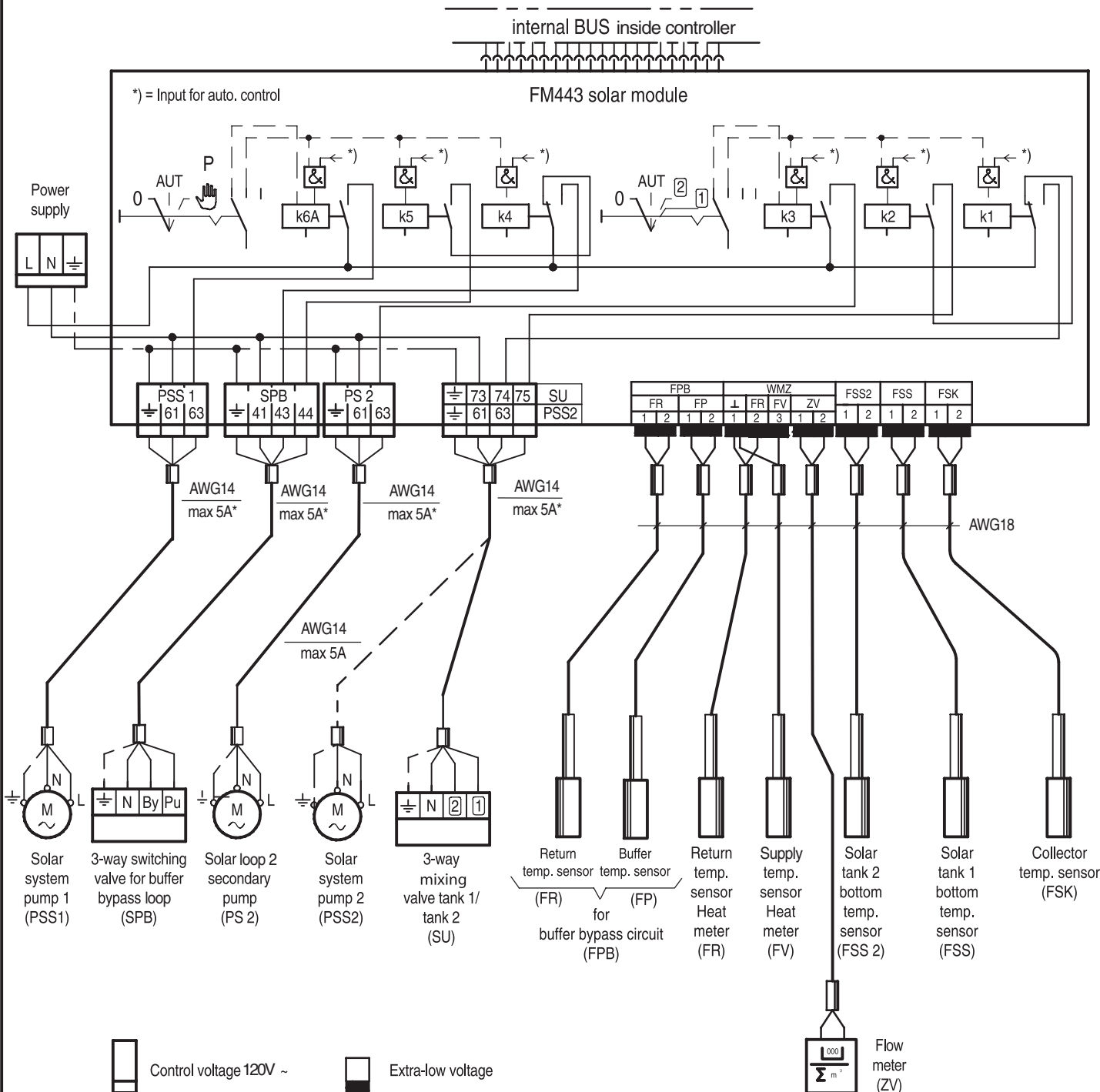
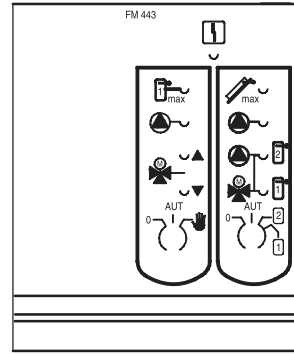
Switch position	(PSS 1)	(SPB)	
	k6A	k5	k4
0			
AUT	Closed -loop control	1*	2*
P			

1* PB: Bypass 2* PB: Buffer

Solar loop 2
Solar loop selection

Switch position	(PS 2)	(PSS 2)	(SPB)	
	k3	k1	k1	k2
0				
AUT	Closed -loop control	Closed -loop control	Charging solar tank 2 (switching valve)	Charging solar tank 1 (switching valve)
2				
1				

Module – front view



* Total current for the control can not exceed 10A.