

**Fig. 10 - INTERIOR COMPONENTS DIAGRAM AND PARTS LIST**

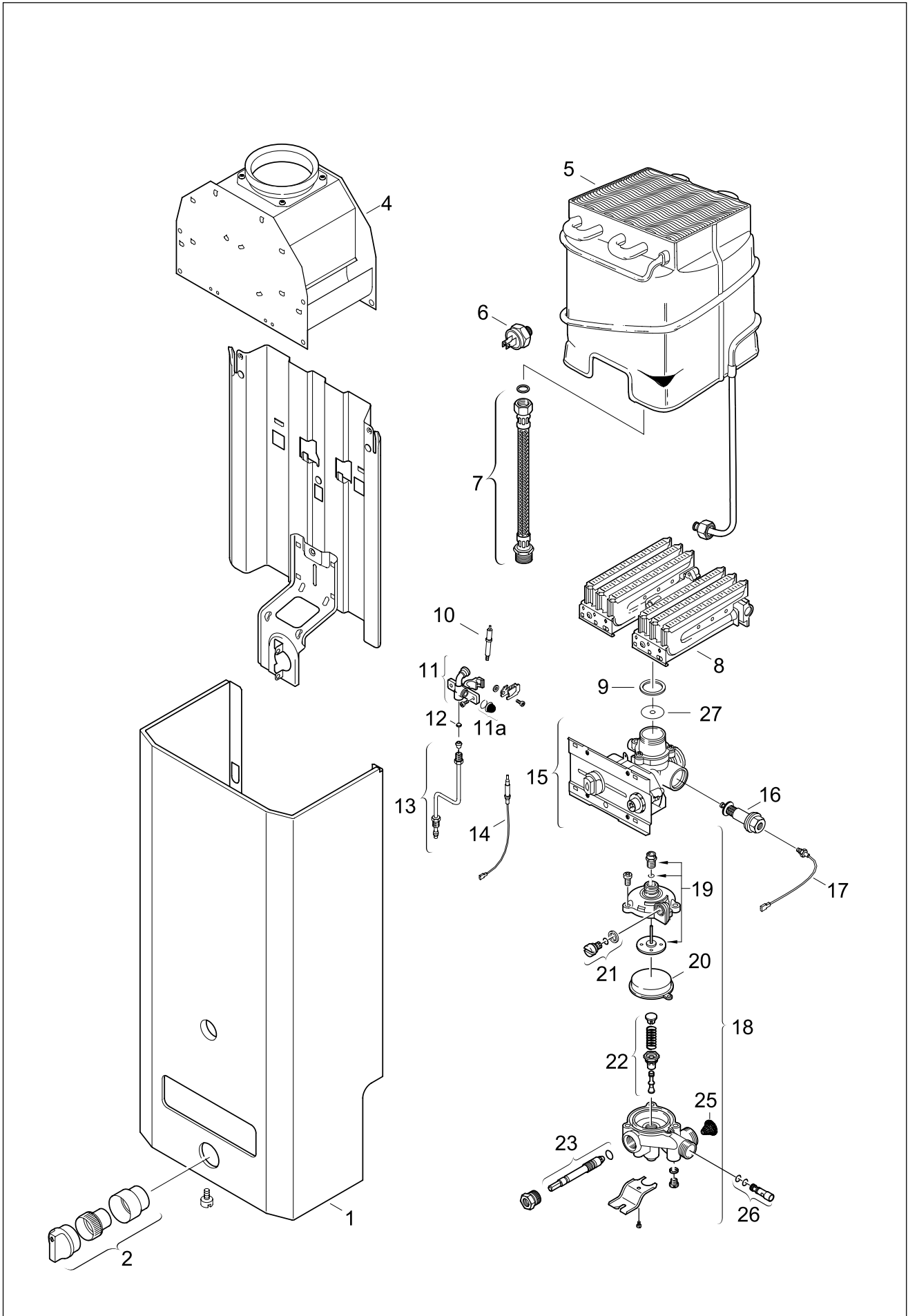


Fig. 10

**INTERIOR COMPONENTS DIAGRAM  
AND PARTS LIST 38B**

<b>1</b>	Cover	☒	8 705 421 021
<b>2</b>	Temperature adjustment knob	☒	8 702 000 182
<b>4</b>	Draft diverter	☒	8 705 505 361
<b>5</b>	Heat exchanger	☒	8 705 406 149
<b>6</b>	Overheat sensor (ECO)	☒	8 707 206 040
<b>7</b>	Hot water pipe	☒	8 700 703 038
<b>8</b>	Main burner assembly	LPG	8 708 120 301
	Main burner assembly	NG	8 708 120 011
<b>9</b>	Burner assembly washer	☒	8 700 103 008
<b>10</b>	Piezo electrode	☒	8 708 107 002
<b>11</b>	Pilot burner assembly	☒	8 708 105 337
<b>11a</b>	Pilot air screen	☒	8 700 507 055
<b>12</b>	Pilot orifice	NG	8 708 200 005
	“	LPG	8 748 200 173
<b>13</b>	Pilot Tube	☒	8 700 707 334
<b>14</b>	Thermocouple	☒	8 747 202 083
<b>15</b>	Gas valve	LPG	8 707 011 456
	Gas valve	NG	8 707 011 466
<b>16</b>	Electromagnet	☒	8 707 201 012
<b>17</b>	Thermocable	☒	8 747 202 209
<b>18</b>	Water valve assembly	☒	8 707 002 497
<b>19</b>	Water valve repair kit	☒	8 703 406 204
<b>20</b>	Water valve diaphragm	☒	8 700 503 050
<b>21</b>	Slow ignition valve	☒	8 708 503 063
<b>22</b>	Water valve water governor	☒	8 707 402 018
<b>23</b>	Water valve selector screw	☒	8 708 500 166
<b>25</b>	Water inlet filter	☒	8 700 507 001
<b>26</b>	Water valve venturi	☒	8 708 205 210
<b>27</b>	Throttle Disc	NG	8 700 100 169