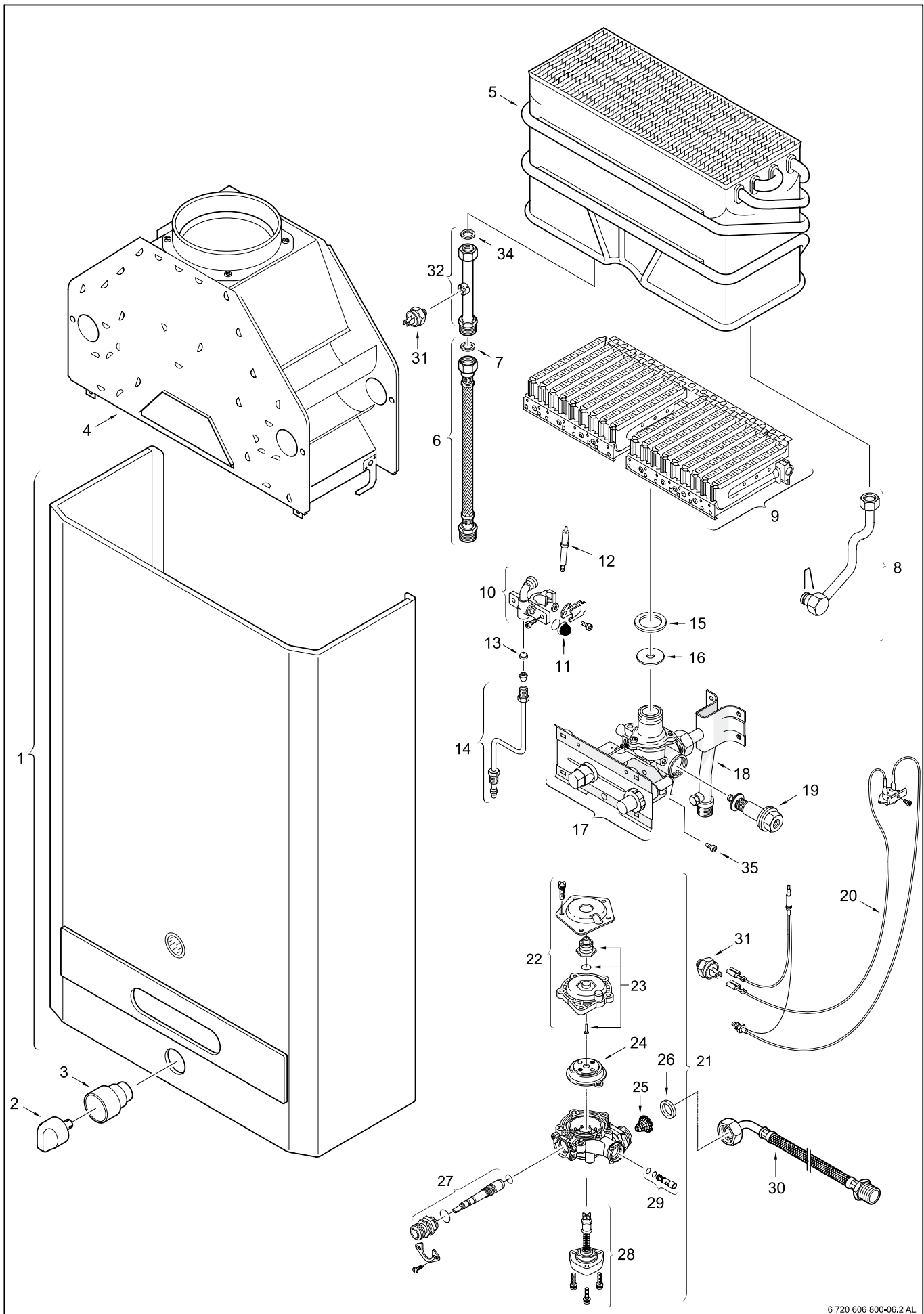


Fig. 13 - INTERIOR COMPONENTS DIAGRAM AND PARTS LIST



6 720 606 800-06.2 AL

Fig. 13

**INTERIOR COMPONENTS DIAGRAM
AND PARTS LIST 125B**

1	Cover	8 705 421 025
2	Temperature adjustment knob	8 702 000 111
3	Temperature adjustment collar	8 700 403 008
4	Draft diverter	8 705 505 354
5	Heat exchanger	8 705 406 235
6	Outlet flex hose	8 700 703 130
7	Washer	8 700 103 658
8	Cold water pipe	8 700 705 627
9	Main burner	8 708 120 298 NG
9	Main burner	8 708 120 296 LP
10	Pilot burner	8 718 105 051
11	Pilot air screen	8 700 507 055
12	Piezo electrode	8 708 107 002
13	Pilot injector	8 708 200 005 NG
13	Pilot injector	8 748 200 173 LP
14	Pilot tube	8 700 707 320
15	Burner assembly washer	8 710 103 060
16	Throttle disc	8 700 100 174 LP
17	Gas valve	8 707 021 090 NG
17	Gas valve	8 707 021 091 LP
18	Gas supply pipe	8 700 705 552
19	Electromagnet	8 707 201 012
20	Thermocouple / Flue Gas Sensor	8 707 206 074
21	Water valve	8 707 002 649
22	Water valve cover	8 705 500 101
23	Pushrod	8 700 306 114
24	Diaphragm	8 700 503 053
25	Water inlet filter	8 700 507 001
26	Water connection gasket	8 710 103 043
27	Water valve selector screw	8 708 500 289
28	Volumetric water governor	8 705 705 009
29	Venturi	8 708 205 279
30	Water elbow fitting	8 700 703 114
31	Overheat sensor (ECO)	8 707 206 040
32	Connecting pipe hot	8 700 715 178
34	Washer	8 710 103 045
35	Water valve set screw	8 703 401 051