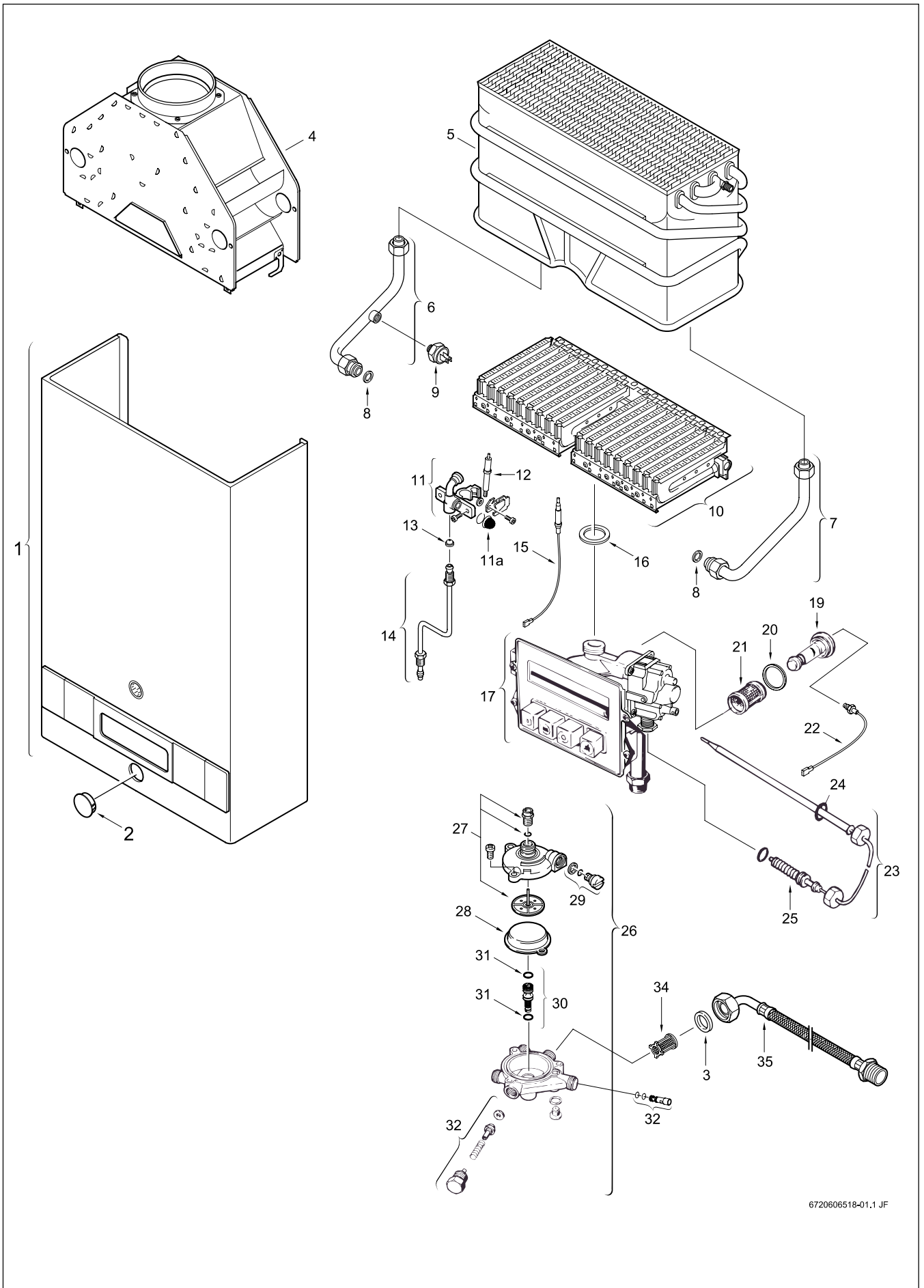


AQ 125 BS

Fig. 11 - INTERIOR COMPONENTS DIAGRAM AND PARTS LIST



6720606518-01.1 JF

Fig. 11

**INTERIOR COMPONENTS DIAGRAM
AND PARTS LIST 125BS**

1	Cover	8 705 421 033
2	Cap cover	8 703 304 011
3	Water connection gasket	8 710 103 043
4	Draft divertor	8 705 505 354
5	Heat exchanger	8 705 406 189
6	Hot water pipe	8 700 705 431
7	Cold water pipe	8 700 705 294
8	Heat exchanger washer	8 710 103 045
9	Overheat sensor (ECO)	8 707 206 017
10	Main burner assembly LP	8 708 120 296
	Main burner assembly NG	8 708 120 298
11	Pilot burner assembly	8 708 105 337
11a	Pilot filter screen	8 700 507 055
12	Piezo electrode	8 708 107 002
13	Pilot orifice NG	8 708 200 005
	Pilot orifice LP	8 748 200 173
14	Pilot Tube	8 710 707 166
15	Thermocouple	8 747 202 083
16	Burner assembly washer	8 710 103 060
17	Gas valve LP	8 707 011 467
	Gas valve NG	8 707 011 469
18	Gas supply pipe	8 700 705 464
19	Electromagnet	8 747 201 094
20	Electromagnet washer	8 700 103 144
21	Gas filter	8 700 507 051
22	Thermocable	8 747 202 078
23	Thermostat	8 707 206 039
24	O ring Thermostat	8 700 205 101
25	O ring Thermostat	8 700 205 041
26	Water valve assembly	8 707 002 393
27	Water valve repair kit	8 703 406 204
28	Water valve diaphragm	8 700 503 050
29	Slow ignition valve	8 708 503 062
30	Water valve setting screw	8 703 404 092
31	O ring setting screw	8 700 205 050
32	Water valve venturi	8 708 205 235
33	Water valve piston assembly	8 708 500 230
34	Water inlet filter	8 700 507 059
35	Water elbow fitting	8 700 703 114