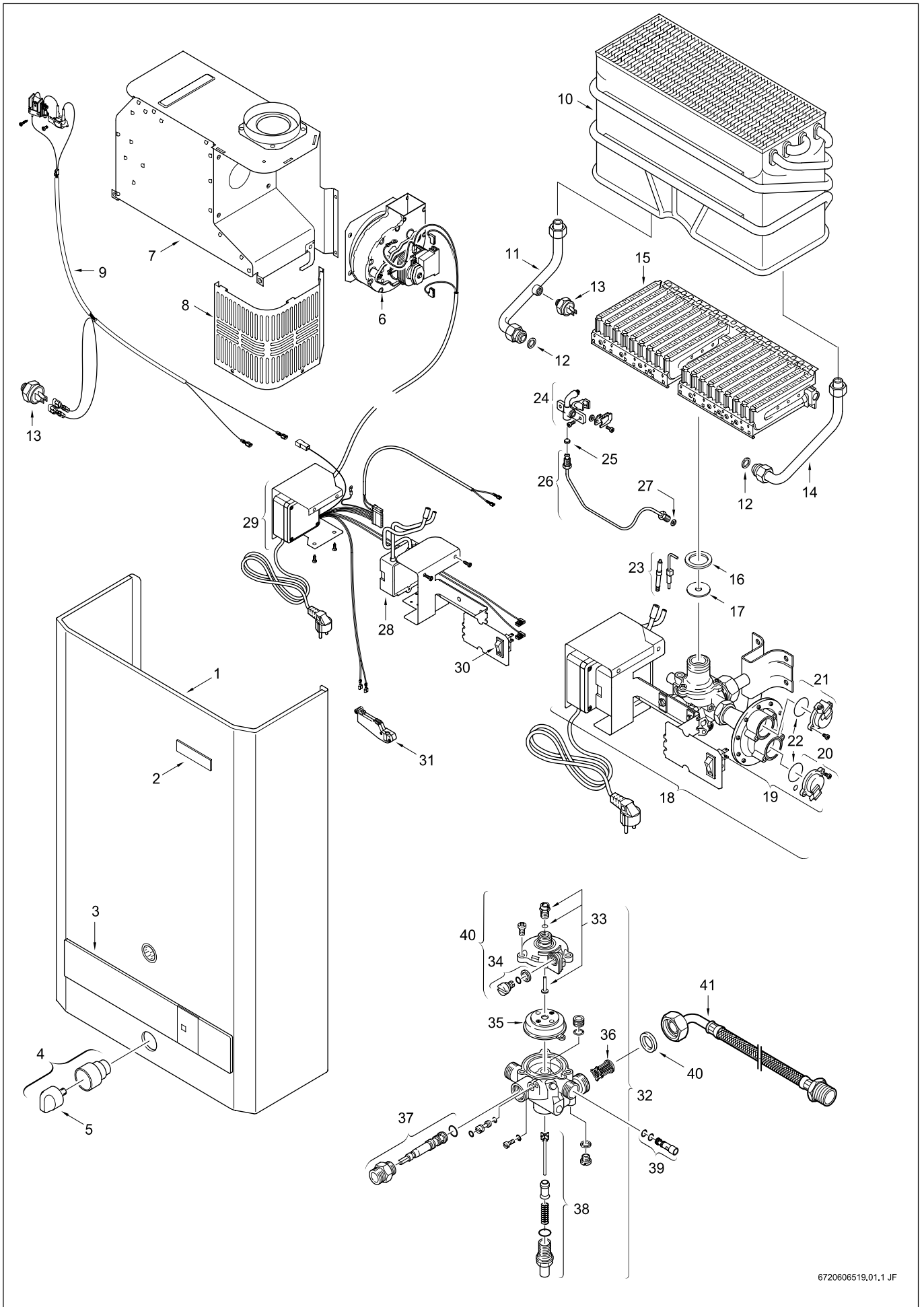


Fig. 18 - INTERIOR COMPONENTS DIAGRAM AND PARTS LIST



6720606519.01.1 JF

Fig. 18
INTERIOR COMPONENTS DIAGRAM
AND PARTS LIST 125FX

1	Front Cover	8 705 421 255
2	AquaStar Decal	8 701 103 074
3	Plastic lower snap-on	8 705 506 451
4	Temperature adjustment knob complete	8 702 000 219
5	Temperature adjustment knob	8 702 000 111
6	Exhaust fan assembly	8 707 204 023
7	Draft diverter	8 705 505 451
8	Fan protection	8 701 302 164
9	Flue gas safety device	8 707 206 185
10	Heat Exchanger	8 705 406 235
11	Hot water pipe	8 700 705 556
12	Washer	8 710 103 045
13	Overheat sensor (ECO)	8 707 206 040
14	Cold water pipe	8 700 705 294
15	Main burner assembly	8 708 120 298 NG 8 708 120 296 LP
16	Washer for burner assembly	8 710 103 060
17	Throttle disc	8 700 100 189 LP only
18	Gas Valve	8 707 011 811 NG 8 707 011 812 LP
19	Diaphragm switch	8 708 504 021 NG 8 708 504 049 LP
20	Burner electrovalve	8 708 501 250
21	Pilot electrovalve	8 708 501 249
22	O-ring	8 700 205 120
23	Electrode ignition group	8 718 107 067
24	Pilot burner assembly	8 708 105 337 NG 8 708 105 491 LP
25	Injector pilot	8 708 200 069 NG 8 708 200 312 LP
26	Pilot gas tube	8 700 707 349
27	Washer	8 700 103 173
28	Electronic control box	8 707 207 011
29	Electric control box	8 707 101 021
30	On/Off switch	8 707 200 014
31	Microswitch	8 707 200 007
32	Water valve	8 707 002 534
33	Water valve repair kit	8 703 406 178
34	Slow ignition valve	8 708 503 063
35	Diaphragm	8 700 503 053
36	Water inlet filter	8 700 507 059
37	Selector screw	8 708 500 251
38	Volumetric water governor	8 707 402 015
39	Venturi	8 708 205 249
40	Water connections gasket	8 710 103 043
41	Water elbow fitting	8 700 703 114