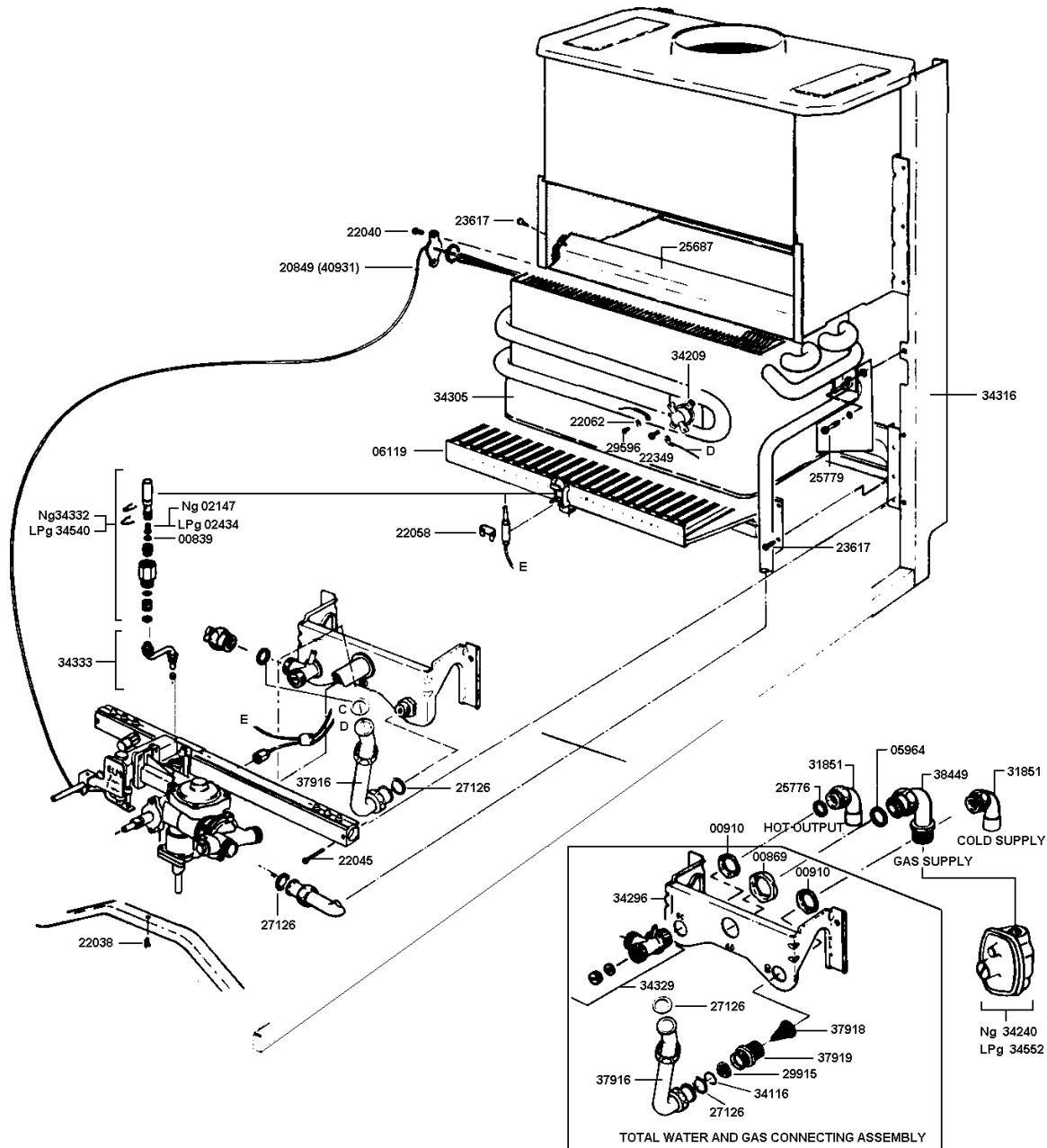


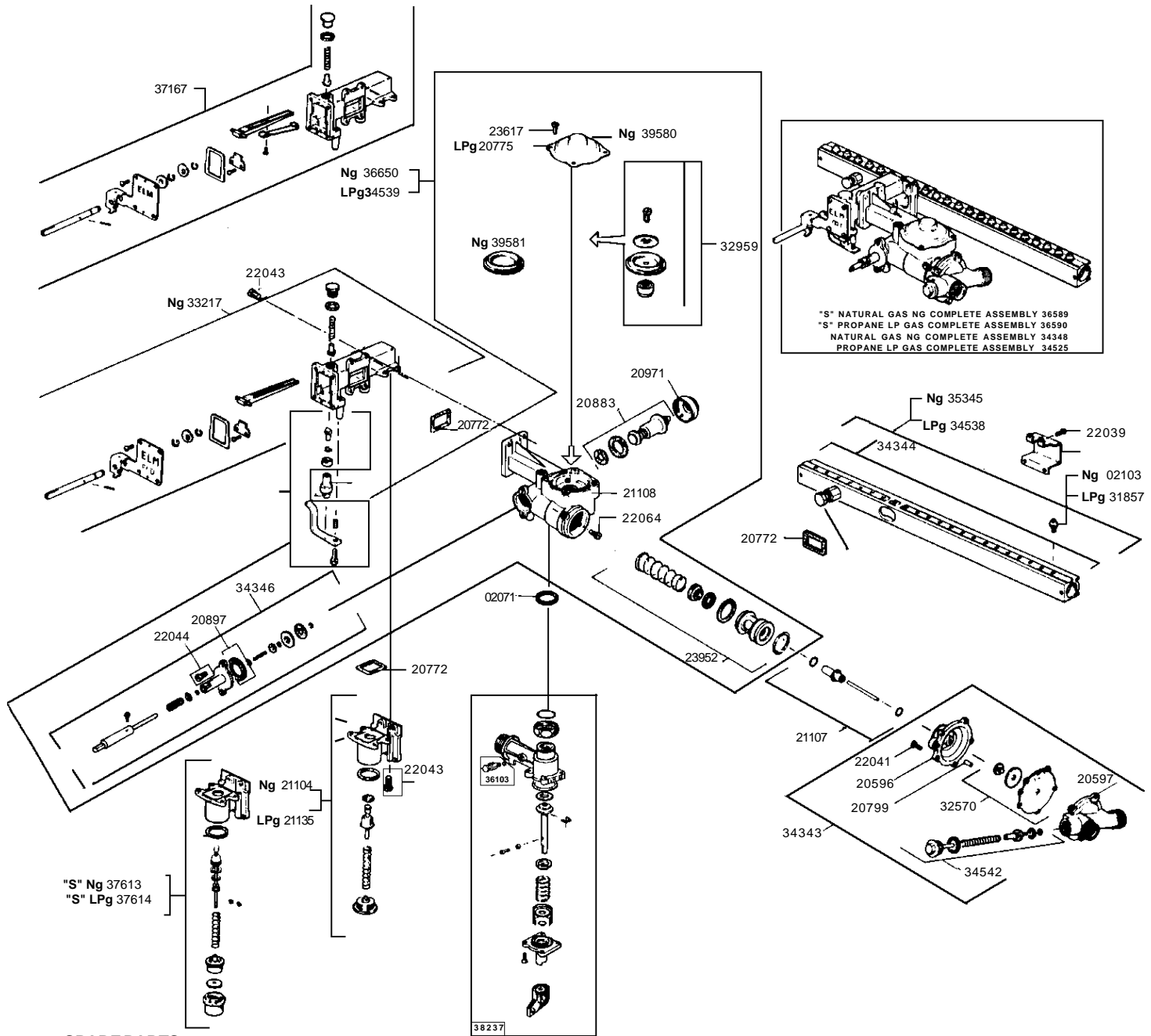
**INTERIOR COMPONENTS DIAGRAM
 AQUASTAR 125**



SPARE PARTS LIST

- | | | |
|---|---|--|
| 00839 - PILOT INJECTOR WASHER | 22349 - SCREW | 34240 - NG GAS REGULATOR |
| 00869 - RETAINING NUT FOR GAS INLET FITTING | 22349 - REAR BURNER SHIELD RETAINING SCREW | 34296 - WATER & GAS FITTINGS RETAINING STRIP |
| 00910 - RETAINING NUT FOR COLD INLET AND HOT WATER OUTLET | 23617 - DRAFT HOOD DEFLECTING STRIP | 34304 - HEAT EXCHANGER |
| 02147 - NG GAS PILOT INJECTOR | 25776 - WASHER | 34316 - FRAME |
| 02434 - LP GAS PILOT INJECTOR | 25779 - HEAT EXCHANGER FRAME RETAINING SCREW | 34329 - HOT WATER RETURN LINE FITTING |
| 05964 - GAS FITTING WASHER | 27126 - WASHER | 34332 - NG TOTAL PILOT ASSEMBLY |
| 06119 - BURNER ASSEMBLY | 29596 - THERMOCOUPLE / ELECTROMAGNET LEAD WIRE TERMINAL RETAINING SCREW | 34333 - PILOT TUBE ASSEMBLY ("S" TUBE) |
| 20849 (40931) - THERMOSTAT ELEMENT SENSOR | 29915 - INLET WATER FLOW RESTRICTOR | 34540 - LP TOTAL PILOT ASSEMBLY |
| 20887 - THERMOCOUPLE | 31851 - COLD & HOT WATER ELBOW | 34552 - LP GAS REGULATOR |
| 22040 - THERMOSTAT SENSING ELEMENT RETAINING SCREW | 34116 - CLIP | 37916 - WATER VALVE TO COLD INLET CONNECTING COPPER TUBING |
| 22045 - BURNER MANIFOLD RETAINING SCREW | 34209 - OVERHEAT THERMOSTATIC SENSOR (ECO) | 37918 - WATER FILTER |
| 22058 - THERMOCOUPLE RETAINING CLIP | | 37919 - COLD WATER INLET FITTING |
| | | 38449 - COPPER ELBOW GAS FITTING |

VALVE ASSEMBLY COMPONENTS DIAGRAM AQUASTAR 125



SPARE PARTS

- 02071 -MANUAL GAS VALVE
- 02103 -INJECTOR - NG
- 20596 -WATER VALVE COVER
- 20597 -WATER VALVE HOUSING
- 20772 -CORK GASKET
- 20775 -REGULATOR COVER
- 20799 -CENTERING TUBE
- 20883 -ELECTROMAGNET WITH WASHER
- 20897 -THERMOCOUPLE PUSH ROD COVE
CORK WASHER
- 20971 -ELECTROMAGNET RETAINING COVER
- 21104 -NG MODULATING THERMOSTATIC
VALVE ASSEMBLY CONNECTOR
- 21107 -WATER VALVE PUSH ROD
- 21108 -NG VALVE HOUSING
- 21135 -LP GAS THERMOSTATIC MODULATING
VALVE ASSEMBLY
- 22039 -SCREW FOR MANIFOLD CLAMP
- 22041 -WATER VALVE RETAINING SCREW

- 22043 -SCREW FOR GAS VALVE CONNECTOR
- 22044 -THERMOCOUPLE PUSH BUTTON COVER
RETAINING SCREW
- 22064 -TIGHTENING SCREW FOR WATER VALVE
- 23617 -REGULATOR COVER SCREW
- 23951 -THERMOSTAT SETTING COVER
ASSEMBLY
- 23952 -GAS VALVE ASSEMBLY
- 31857 -LP GAS INJECTORS
- 32570 -WATER VALVE RUBBER MEMBRANE
- 32959 -LP GAS SLOW IGNITION MEMBRANE
- 33217 -THERMOSTAT MODULATING VALVE
ASSEMBLY
- 34343 -COMPLETE WATER VALVE ASSEMBLY
- 34344 -GAS MANIFOLD WITHOUT INJECTOR
- 34345 -BURNER MANIFOLD WITH NG
INJECTORS
- 34525 -LP GAS COMPLETE BLOCK ASSEMBLY
- 34538 -BURNER MANIFOLD WITH LP
INJECTORS

- 34346 -THERMOCOUPLE AND ELECTROMAGNET
PUSH BUTTON
- 34348 -NG COMPLETE BLOCK ASSEMBLY
INJECTORS
- 34539 -LP MAIN GAS VALVE ASSEMBLY
- 34542 -WATER VALVE SPRING LOADED
PISTON
- 36103 -GAS PRESSURE TEST NIPPLE
- 36589 -MODEL "S" NG BLOCK ASSEMBLY
- 36590 -MODEL "S" LP BLOCK ASSEMBLY
- 36650 -NG MAIN VALVE ASSEMBLY
- 37167 -MODEL "S" GAS MAIN VALVE
ASSEMBLY
- 37613 -MODEL "S" NG MODULATING
THERMOSTATIC VALVE ASSEMBLY
CONNECTOR
- 37614 -MODEL "S" LP GAS MODULATING
THERMOSTATIC VALVE ASSEMBLY
CONNECTOR
- 38237 -MANUAL GAS VALVE
- 39580 -NG REGULATOR COVER
- 39581 -O RING