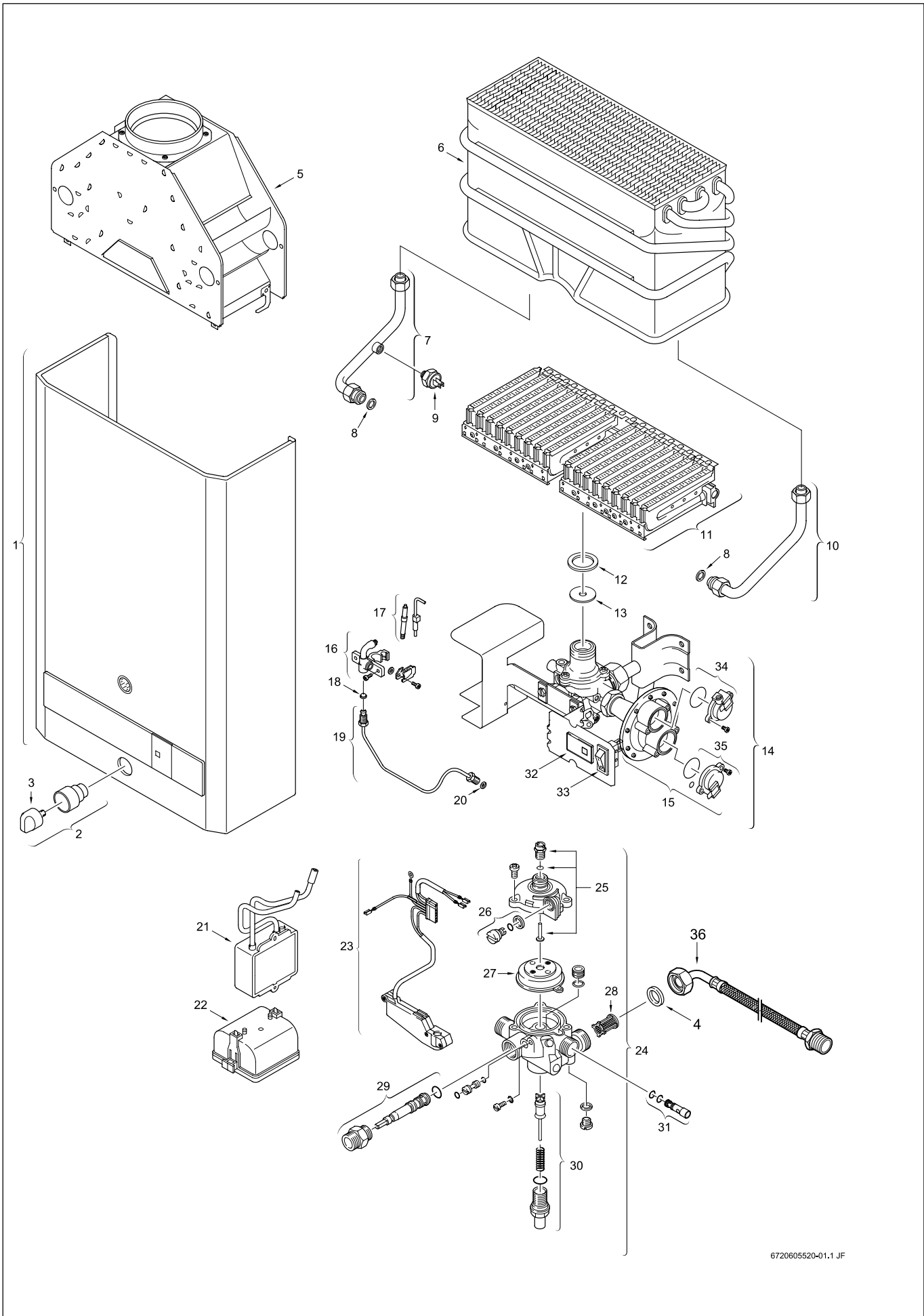


Fig. 15 - INTERIOR COMPONENTS DIAGRAM AND PARTS LIST



6720605520-01.1 JF

Fig. 15
INTERIOR COMPONENTS DIAGRAM
AND PARTS LIST 125X

1	Front cover	α	8 705 421 255
2	Temperature adjustment knob comp.	α	8 702 000 219
3	Temperature adjustment knob	α	8 702 000 111
4	Water connection gasket	α	8 710 103 043
5	Draught diverter	α	8 705 505 354
6	Heat exchanger	α	8 705 406 235
7	Hot water pipe	α	8 700 705 556
8	Washer	α	8 710 103 045
9	Overheat sensor (ECO)	α	8 707 206 040
10	Cold water pipe	α	8 700 705 294
11	Main Burner Assembly	NG	8 708 120 298
11	Main Burner Assembly	LPG	8 708 120 296
12	Washer for burner assembly	α	8 710 103 060
13	Throttle disc	LPG	8 700 100 174
14	Gas valve	NG	8 707 011 729
14	Gas valve	LPG	8 707 011 730
15	Diaphragm switch	NG	8 708 504 021
15	Diaphragm switch	LPG	8 708 504 049
16	Pilot burner assembly	LPG	8 708 105 491
16	Pilot burner assembly	NG	8 708 105 337
17	Electrode ignition group	α	8 718 107 067
18	Injector pilot	NG	8 708 200 069
18	Injector pilot	LPG	8 708 200 312
19	Pilot gas tube	α	8 700 707 349
20	Washer	α	8 700 103 173
21	Electronic control box	α	8 707 207 011
22	Battery box	α	8 700 505 062
23	Set of cables complete	α	8 704 401 035
24	Water valve	α	8 707 002 534
25	Water valve repair kit	α	8 705 500 076
26	Slow-ignition valve	α	8 708 503 063
27	Diaphragm	α	8 700 503 053
28	Water inlet filter	α	8 700 507 059
29	Selector screw	α	8 708 500 251
30	Volumetric water governor	α	8 707 402 015
31	Venturi	α	8 708 205 249
32	LED Control		8 707 305 001
33	On/Off Switch		8 707 200 014
34	Pilot Electrovalve		8 708 501 249
35	Burner Electrovalve		8 708 501 250
36	Water elbow fitting		8 700 703 114