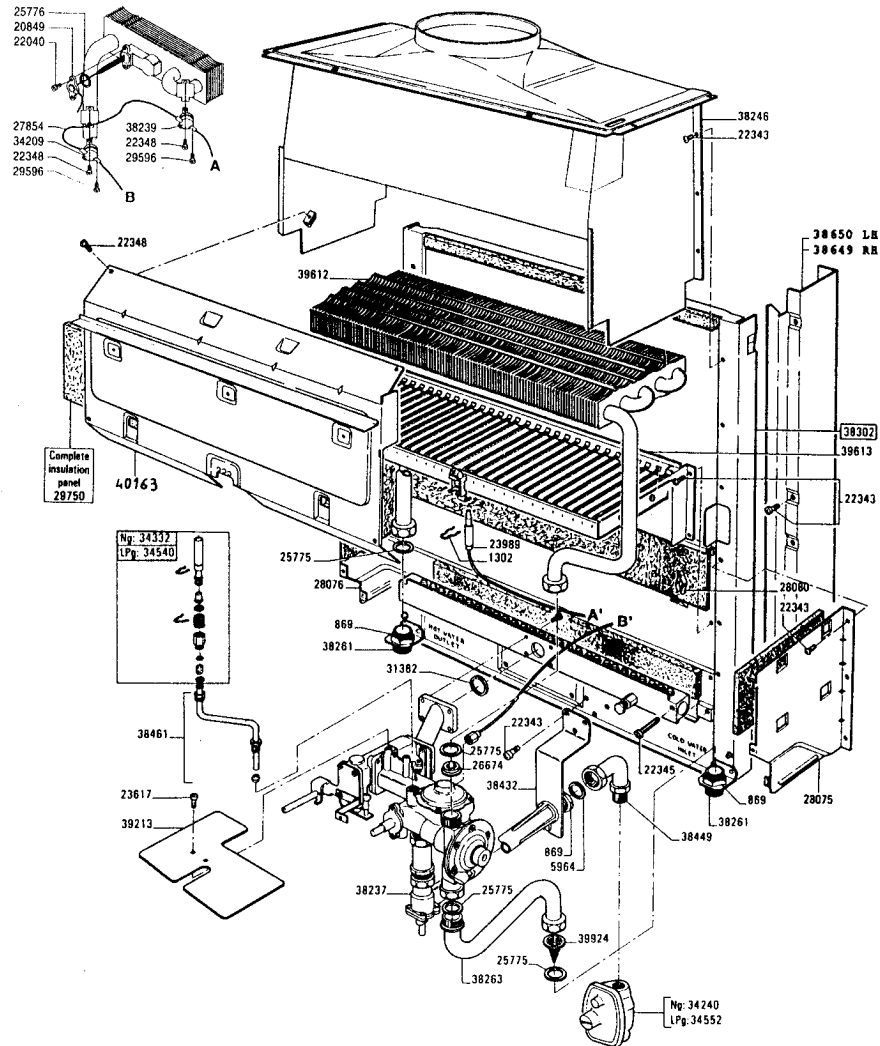


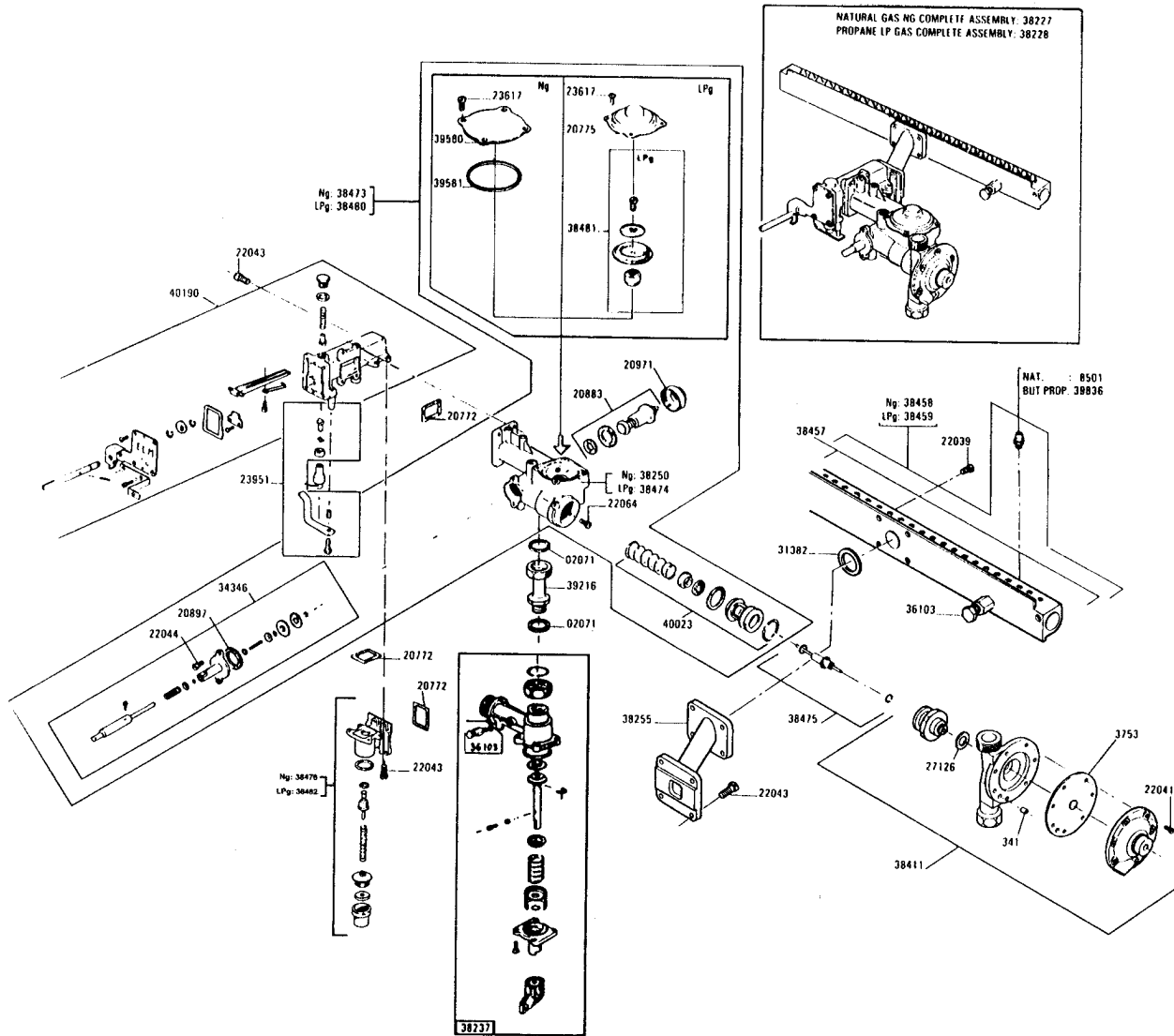
**INTERIOR COMPONENTS DIAGRAM
 AQUASTAR 170**



SPARE PARTS LIST AQUASTAR 170VP

00869	NUT	27854	TOUCH SENSOR WIRE	38246	FLUE HOOD LM170
01302	T.C. RETAINING CLIP LM170	28075	RIGHT SIDE OF COMBUSTION CHAMBER	38261	CONNECTION 3/4" NPT
05964	GASKET	28076	LEFT SIDE OF COMBUSTION CHAMBER	38263	COLD WATER INLET COPPER ELBOW FITTING
20849	DOMESTIC HOT WATER THERMOSTAT	28080	INSULATION PANEL FIXING CLIP	38302	BACK CASE PANEL ASSY LM170
22040	SCREW	29750	COMBUSTION CHAMBER INSULATION PANEL (COMPLETE SET)	38432	GAS VALVE FIXING SUPPORT LM170
22343	RETAINING SCREW	31382	RUBBER GASKET	38449	GAS INLET COPPER ELBOW FITTING LM170
22345	FIXING SCREW	34209	OVERHEAT STAT 95 °C	38461	GAS PILOT TUBE LM170
22348	SCREW	34240	GAS GOVERNOR MAXITROL N.G (4-8)	38649	RIGHT SIDE MOUNTING BRACKET
22349	FIXING SCREW	34332	GAS PILOT N.G LM170	38650	LEFT SIDE MOUNTING BRACKET
23617	SCREW	34540	GAS PILOT LPG LM170	39213	PROTECTION DEFLECTOR OF GAS CONTROL
23989	THERMOCOUPLE LM170	34552	GAS GOVERNOR MAXITROL LPG (5-12)	39612	HEAT EXCHANGER
25775	RUBBER GASKET	38237	MANUAL GAS SHUT-OFF VALVE + HANDLE	39613	BURNER LM170
25776	RUBBER GASKET	38239	OVERHEAT SENSOR 130 °C	39924	COLD WATER INLET FILTER LM170
26674	WATER FLOW CONTROL			40163	FRONT OF COMBUSTION CHAMBER

VALVE ASSEMBLY COMPONENTS DIAGRAM AQUASTAR 170



SPARE PARTS LIST AQUASTAR 170VP

00341	WATER VALVE CENTERING TUBE	27126	RUBBER GASKET	38473	MAIN GAS VALVE N.G LM170
02071	RUBBER GASKET	31382	RUBBER GASKET	38474	MAIN GAS VALVE HOUSING LPG LM170
08501	MANIFOLD GAS INJECTOR N.G. Ø 1.25	33071	WATER VALVE DIAPHRAGM ASSY	38475	WATER VALVE PUSH ROD
20772	CORK GASKET	34346	THERMOCOUPLE/ELECTROMAGNET PUSH BUTTON	38476	MODULATING VALVE ASSEMBLY N.G LM170
20775	MAIN GAS VALVE COVER LPG	36103	MANIFOLD GAS PRESSURE TEST NIPPLE	38480	MAIN GAS VALVE LPG LM170
20883	MAGNETIC HEAD + GASKET	38227	MAIN GAS CONTROL N.G LM170	38481	GAS FLOW IGNITION DEVICE DIAPHRAGM LPG
20897	CORK GASKET	38228	MAIN GAS CONTROL LPG LM170	38482	MODULATING VALVE ASSEMBLY LPG LM170
20971	MAGNETIC HEAD FIXING NUT	38237	GAS INLET MANUAL SHUT-OFF VALVE	39216	GAS INLET TUBE LM170
22039	SCREW	38250	MAIN GAS VALVE HOUSING N.G LM170	39580	MAIN GAS VALVE COVER N.G
22041	SCREW	38255	CONNECTION PIPE	39581	GAS VALVE COVER GASKET
22043	SCREW	38411	WATER VALVE ASSEMBLY LM170	39836	MANIFOLD GAS INJECTOR LPG Ø 0.78
22044	SCREW	38457	GAS MANIFOLD WITHOUT INJECTOR	40023	MAIN GAS VALVE
22064	SCREW	38458	GAS MANIFOLD UNIT N.G LM170	40190	MODULATING ARM HOUSING ASSEMBLY
22017	SCREW	38459	GAS MANIFOLD UNIT LPG LM170		
23951	THERMOSTAT SETTING LEVER ASSEMBLY				