

CHECKING THE DRAFT

MODELS: 125B, 38B, 125X, 125HX, 425HN
 125FX, 425HN

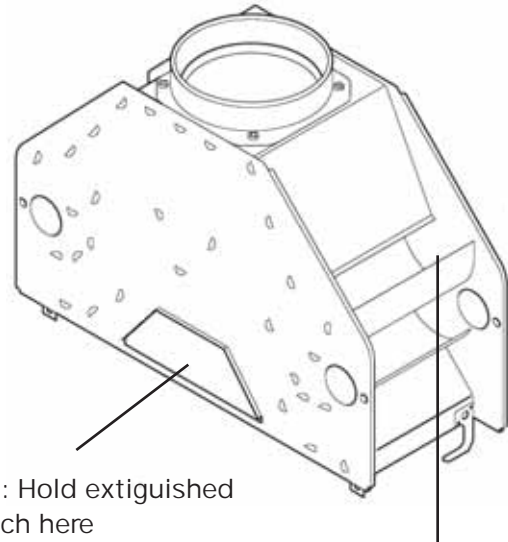


WARNING

LP & NG ARE EXTREMELY FLAMMABLE SO
 TAKE EXTRA PRECAUTIONS WHEN
 PERFORMING ANY WORK TO THE HEATER

1. Close all doors and window in the building.
2. Operate all fuel burning appliances and exhaust systems in the building with the exception of the tankless water heater. Allow time for these items to utilize the air in the structure. Up to one hour may be necessary.
3. Remove the cover from the tankless unit and hold a recently extinguished match, candle, or any other visible smoke source in front of the triangular opening on the draft diverter.
4. The smoke should be sucked quickly into the opening and up the exhaust vent. If the smoke is blown back, a negative air situation exists and must be corrected. See the combustion air section in the manual or bulletin TWG-G1-05 Negative air and Freeze prevention.
5. Now run the heater for 10 minutes, then hold a smoke source at the top right side of the draft diverter. The smoke should be drawn in the louvers on the side. If this is not the case, the unit is not drafting properly and flue gases are being exhausted into the space in which the heater is installed. This is not safe and must be corrected. Reference the venting section in the manual to ensure venting is in accordance with the manufacturer's specifications.

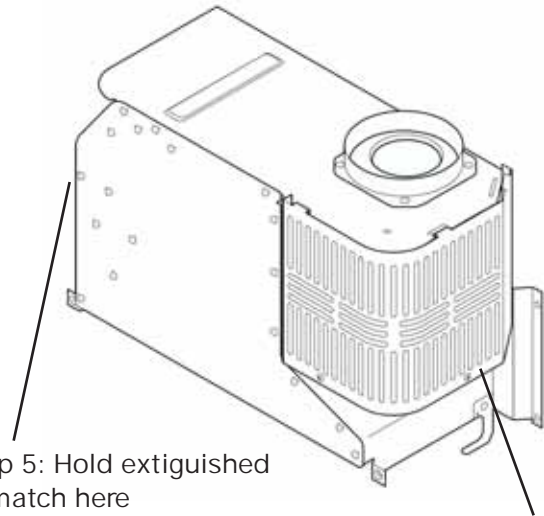
Poor venting can result in sooting on the burners and in the heat exchanger, overheating, and present a dangerous carbon monoxide hazard.



Step 3: Hold extinguished
 match here

Step 5: Hold extinguished
 match here

125B, 38B, 125X, 125HX, 425HN



Step 5: Hold extinguished
 match here

Step 3: Hold extinguished
 match here

125FX, 425EF