

REMOVING AND CLEANING BURNERS

MODELS: ALL MODELS

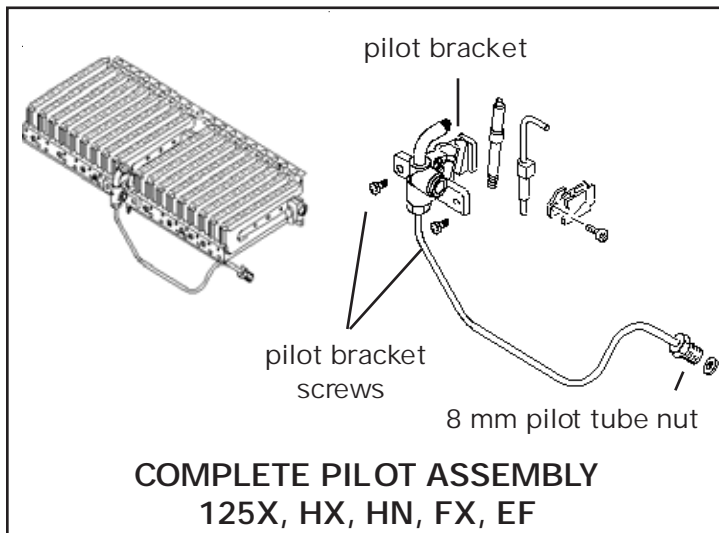
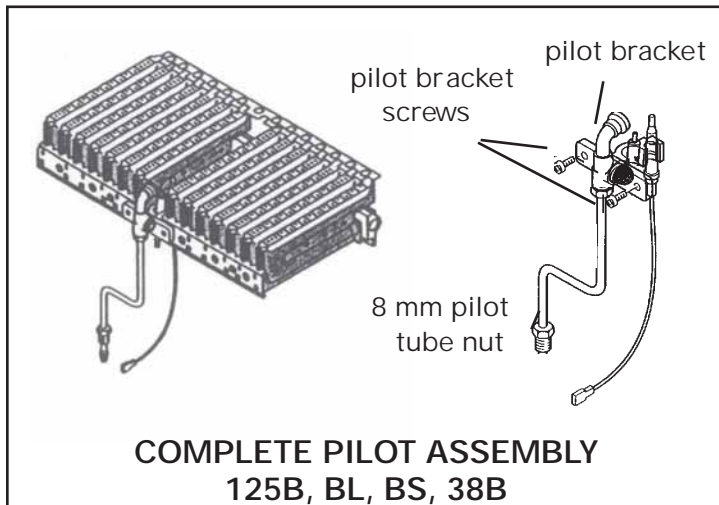


WARNING

LP & NG ARE EXTREMELY FLAMMABLE SO
TAKE EXTRA PRECAUTIONS WHEN
PERFORMING ANY WORK TO THE HEATER

REMOVING PILOT BRACKET

1. Shut off gas to heater, then remove front cover.
2. Carefully loosen 8 mm pilot tube nut shown below. Once loosened with wrench, continue by hand. Do not lift pilot tube up yet. Follow next step.
3. Remove both pilot bracket screws that mount to front of burners.
4. Lift up complete pilot assembly with the pilot tube attached (8 mm nut may need to be loosened further).
5. Let pilot tube and bracket with flame rod sensor (X, HX,FX) or thermocouple (B, BS, BL, 38B) and piezzo electrode (all) lie on its side, keep all items assembled.
6. Burners are now accessible.



REMOVING BURNERS (See diagram on following page)

1. Undo large brass nut below the center of the burner assembly, large brass nut is tightened down against gas valve assembly below so will need to be loosened to the right. Use a proper sized adjustable wrench and keep burner assembly steady with other hand when loosening.
2. Note gasket at this seal and set aside on a clean surface.
3. Tilt right side of burners up and slide them out at an angle to the left.
4. Use a soft wire brush to loosen any debris and then vacuum out. Check to see that the 18 brass gas injectors are clean, if not remove left and right side bed of burners to access them. Natural Gas injectors are marked with #120, and Liquid Propane injectors are marked with #79. Wipe them with a cloth. Do not poke them clean with drill bits, wires or other objects. Once the beds of burners are off, look into their rear venturi passages and clean with a pipe cleaner and soapy water if necessary. Rinse clean and let dry before reinstalling.
5. Reinstall burners being certain rear brass centering pin is inserted properly into its support on the heaters frame. Replace the brass nuts gasket and hand tighten nut ensuring it threads properly to gas valve, tighten with wrench. ***(Follow gas leak tests at end of bulletin before finishing service)***

REMOVING AND CLEANING BURNERS

REINSTALLING PILOT ASSEMBLY AND TUBE

1. Position pilot bracket and tube in place.
2. Begin to hand thread the 8 mm nut to the gas valve. Carefully tighten 8 mm nut with wrench.
3. Attach pilot bracket to front of burners with both screws.

RETURNING HEATER TO SERVICE 125B, BS, BL, 38B:

1. Turn on gas and check for a leak at the 8 mm pilot tube nut connection by applying soap solution, then pushing and holding in pilot button. Allow enough time to bleed air in gas line. Bubbles are a sign of a leak. If no leaks are found, light pilot and follow next step to test for possible gas leak at large brass nut connecting burners to gas valve.

RETURNING HEATER TO SERVICE 125X, HX, HN, FX, EF:

1. Turn on gas and check for a leak at the 8 mm pilot tube nut connection and large nut connecting gas valve to burners by applying soap solution as you initiate water flow to activate the heater. Allow enough time to bleed all air in gas line. Bubbles are a sign of a leak.
2. If soap solution bubbles at either connection immediately shut off water. Check nut for tightness, if tight undo and see if gasket was replaced. Tighten if loose. Repeat test.
3. Replace front cover when complete.

