

## MICROSWITCH CALIBRATION

MODELS: 125X, 125FX, 425EF



### WARNING

LP & NG ARE EXTREMELY FLAMMABLE SO  
TAKE EXTRA PRECAUTIONS WHEN  
PERFORMING ANY WORK TO THE HEATER

- If you do not hear a click (sparking mechanism) when a water tap is opened, the microswitch needs to be adjusted.
- If the sparking mechanism is always sparking without water flow, the microswitch needs to be adjusted.

- 1-Close water tap
- 2-Turn power off
- 3-Remove screw cap and turn adjusting screw in (clockwise) until it stops
- 4-Turn power on
- 5-Turn adjusting screw out (counter clockwise) until sparking begins. stop;
- 6-Turn adjusting screw in (clockwise) one half turn (.5) to complete calibration
- 7-Return heater to service

NOTE: Microswitch assembly is located beneath water valve at base of heater. Adjusting screw is tiny, avoid dropping it by not unthreading it completely out. Best to keep a cupped hand underneath.

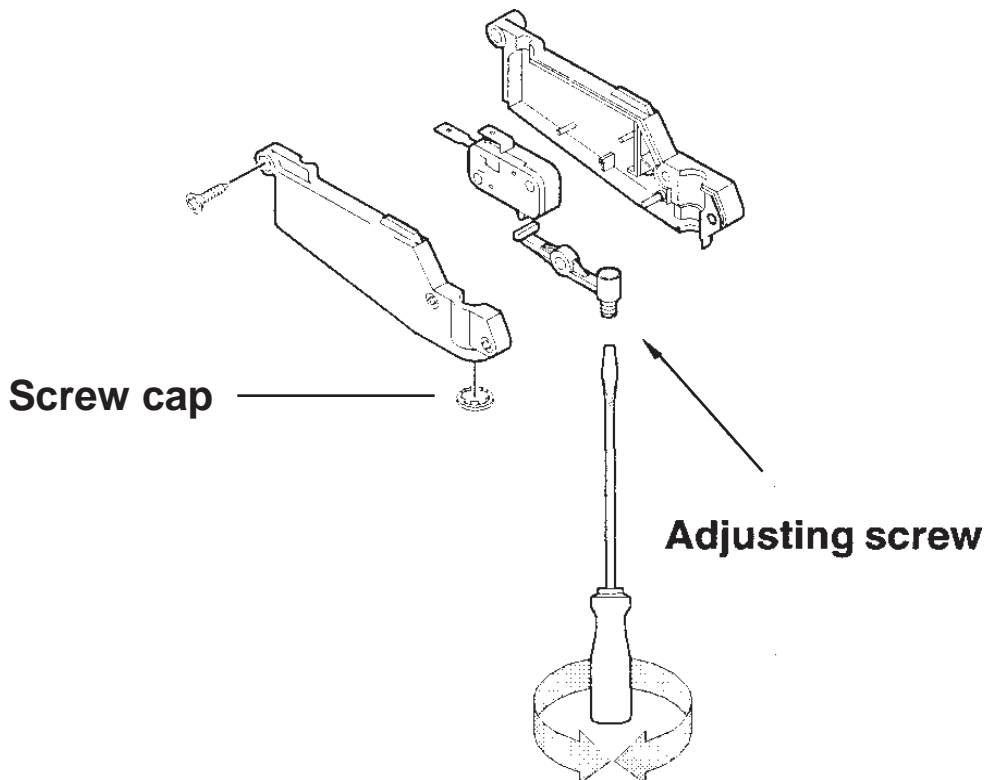


Diagram shows microswitch separated to show adjusting screw location.