

## REPLACING SOLENOID VALVES

MODELS: 125X, 125FX, 125HX, 425EF



### WARNING

LP & NG ARE EXTREMELY FLAMMABLE SO  
TAKE EXTRA PRECAUTIONS WHEN  
PERFORMING ANY WORK TO THE HEATER

### Preparation

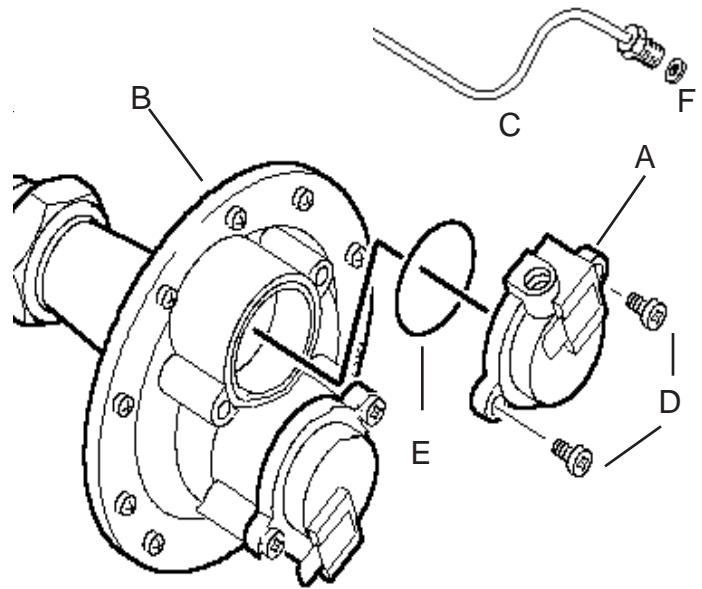
Before attempting to replace the pilot solenoid valve, turn off the main valve feeding gas to the heater and turn the ON/OFF switch to the OFF position

### Removing Pilot Solenoid

1. Location of the pilot solenoid valve (A) is on diaphragm switch (B).
2. Using an 8<sup>mm</sup> open end wrench, remove the pilot tube (C) connected to the pilot solenoid valve (orange).
3. Carefully pull off the orange wire from the pilot solenoid valve.
4. Remove the two larger phillips head screws (D) on the outer edge of pilot solenoid valve.

### Installing Pilot Solenoid

1. Carefully install the new rubber o-ring (E) on the diaphragm switch making sure it seats properly.
2. Install orange pilot solenoid valve making sure the port for the pilot tube is facing up so the pilot tube can be reattached.
3. After the orange pilot solenoid valve is in place and both phillips head screws are tight, reattach pilot tube using new gasket (F).
4. When you are sure there are no gas leaks turn the ON/OFF switch to the ON position. Then open a hot water tap, the heater will spark and light. If the heater sparks for a few seconds, then stops sparking and does not light, there is air in the gas line. Turn off the water and repeat as needed allowing any air in the system to bleed and ultimately allowing the pilot to light and the heater to begin normal operation.



#### Location of parts

- A – Pilot solenoid valve
- B – Diaphragm switch
- C – Pilot tube
- D – Phillips head screws
- E – Rubber O-ring
- F – Pilot tube gasket

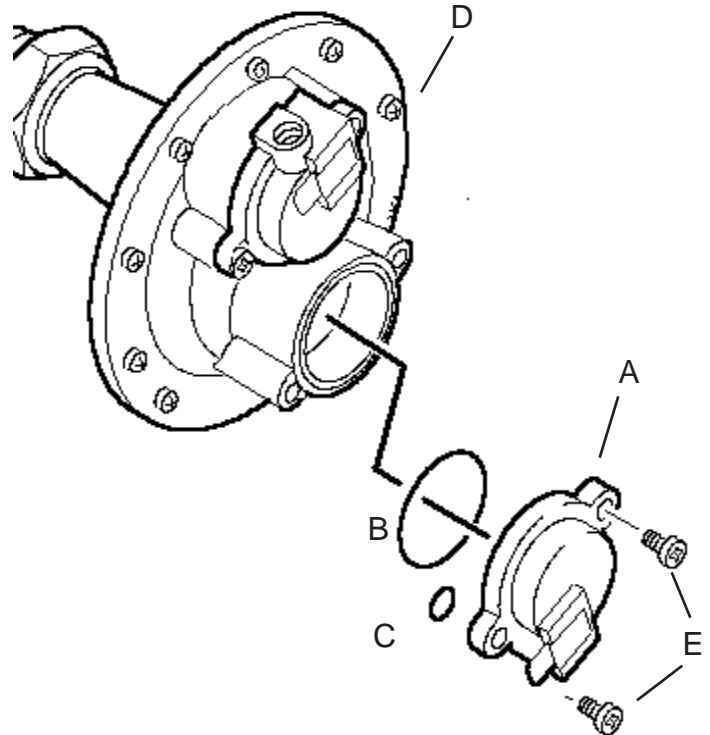
## REPLACING SOLENOID VALVES

### Removal

1. Location of the burner solenoid valve (A) is on diaphragm switch (C).
2. Carefully pull off the green wire from the burner solenoid valve (green).
3. Remove the two larger phillips head screws (E) on the outer edge of burner solenoid valve.
4. Remove the burner solenoid valve, make sure the 2 old rubber-o-ring's (B), (C) are removed from the diaphragm switch (D) where the burner solenoid valve was at tached.

### Installation

1. Carefully install the 2 new rubber o-ring's (B), (C) on the diaphragm switch (D) making sure they seat properly. Install green burner solenoid valve (A) as depicted.
2. After the green burner solenoid valve is in place and both phillips head screws are tight, open the gas valve feeding the heater, check the burner solenoid valve area for any gas leaks.
3. When you are sure there are no gas leaks turn the ON/OFF switch to the ON position. Then open a hot water tap, the heater will spark and light. If the heater sparks for a few seconds, then stops sparking and does not light, there is air in the system. Turn off the water and repeat as needed allowing any air in the gas line to bleed and ultimately allowing the pilot to light and the heater to begin normal operation.



#### Location of parts

- A – Burner solenoid valve
- B – Large rubber O-ring
- C – Small rubber O-ring
- D – Diaphragm switch
- E – Phillips head screws