

## REPLACING CONTROL BOX 1 BOX

MODELS: 125FX, 425EF



### WARNING

LP & NG ARE EXTREMELY FLAMMABLE SO TAKE EXTRA PRECAUTIONS WHEN PERFORMING ANY WORK TO THE HEATER

1. Move on / off switch to 'O' (off) position. Turn off gas and unplug power to heater, remove front cover from heater by pulling off flow knob, unscrewing collar, then lift up and pull cover off.
2. Remove electric control box mounting screw. (Fig A) and remove mounting tab from bracket, box will now be free. Do not lose screw or metal tab. Locate thick black wire and remove from pilot electrode (Fig B).
3. Remove 5 screws around perimeter of electric control box and remove cover. One at a time, remove white molded plug and plug into new box, remove wires to fan and plug into new box and lastly remove wires to power plug and plug into new box. See below for instructions.
4. Reattach thick black wire from new box to pilot electrode. Verify connections and reinstall cover making sure wires are in their respective receptacles.
5. Reattach box to bracket.
6. Plug heater in, turn on gas, move on / off switch to 'I' position.
7. Initiate water flow and heater will light.
8. Replace front cover.

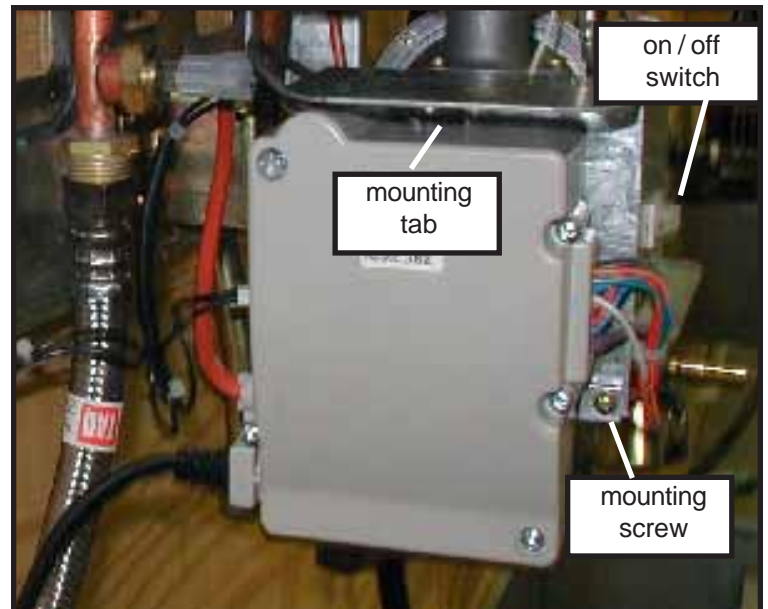


Figure A

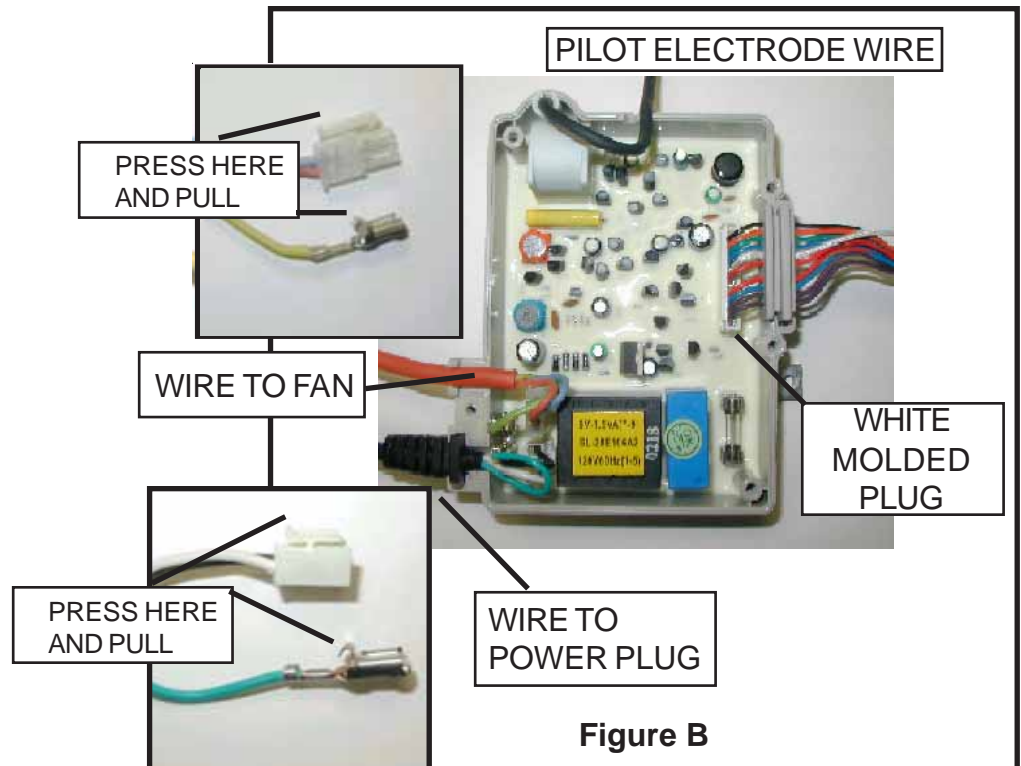


Figure B