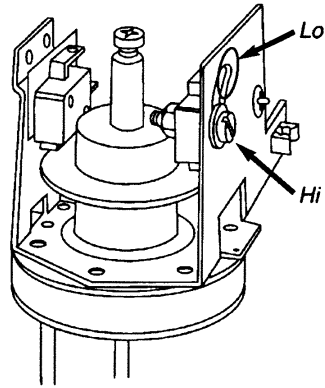


- Set the Power Selector Screw (diagram 5) on the desired setting. If it is set to LO, only one heating element will operate and the output will be half power. See the table on page 8 for temperature rise at various flow rates. If the element is set on HI, both heating elements will operate and the output will be full power. When setting the Power Selector Screw, it is important that the screw be adjusted all the way to the end of the slot and that it be well tightened.
- Attach the front cover and tighten the retaining screws.



▲ **Diagram 5:**
Power selector screw

Spare Parts

| | |
|-----------|---|
| 93.793701 | Backplate |
| | Heat Exchange Assy. (please quote loading/voltage on rating plate when ordering). |
| 93.793703 | Terminal Block |
| 93.793799 | Front Cover (Grey). |
| 93.793773 | Thermal Cut-Out Assembly (Manual Re-set) |
| 93.793818 | Flow Switch |
| 93.793707 | Neon Light & Clip |
| | Wiring Assy. (please quote loading/voltage on rating plate when ordering). |
| 93.793709 | Cable Clamp & Rubber Boot |
| 93.793713 | Cover Retaining Screws |

For further information ask your local dealer.

**FOR SERVICE AND INSTALLATION
QUESTIONS CALL:**

**866-642-3198
www.boschpro.com**

Bosch Thermotechnology Corp. 50 Wentworth Avenue, Londonderry, NH 03053