

Technical service bulletin

Temperature / Pressure Gauge Relocation

Buderus

Bosch Group

Subject:

The following procedure must be performed by the installing activity in order for the G234X series boiler to comply with following ASME codes.

► **ASME Section IV HG-621 Instruments, Fittings, and Controls Mounted Inside Boiler Jackets**

Any or all instruments, fittings, and controls required by these rules may be installed inside of boiler jackets provided the water gauge on a steam boiler is accessible without the use of tools and provided the water gauge and pressure gauge on a steam boiler or the thermometer and pressure gauge on a water boiler are visible through an opening or opening at all times.

► **ASME Section IV HG-612 Thermometers**

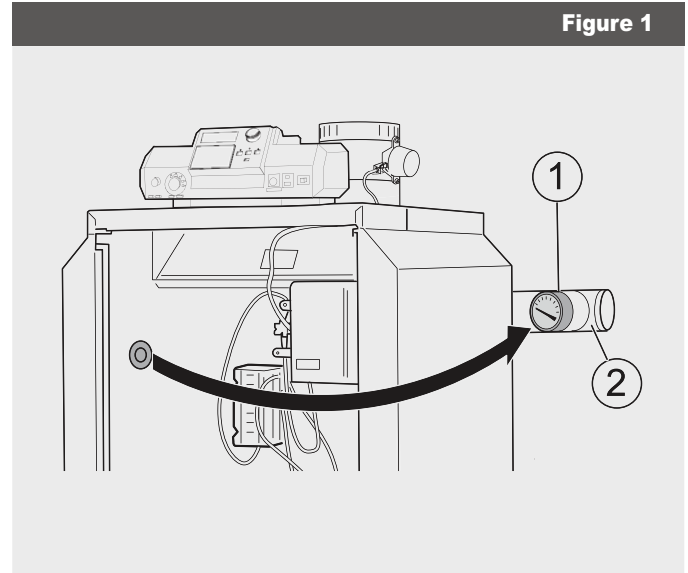
Each hot water heating or hot water supply boiler shall have a thermometer so located and connected that it shall be easily readable. The thermometer shall be so located that it shall at all times indicate the temperature of the water in the boiler at or near the outlet.

Procedure

The current location of the temperature/pressure gauge inside the boiler is not readily visible and must be moved per the following:

1. Remove the temperature/pressure gauge (Fig.1, item1) on the boiler. Install plug (installer supplied) to seal opening in boiler casing.
2. Install tee (installer supplied) on supply pipe. Mount the temperature/pressure gauge (Fig.1, item2) and seal.

Figure 1



Buderus

Bosch Group

Bosch Thermotechnology Corp.
50 Wentworth Ave
Londonderry, NH 03053
Tel: (800) 283-3787
Fax: (603) 965-7568
www.buderus.us