

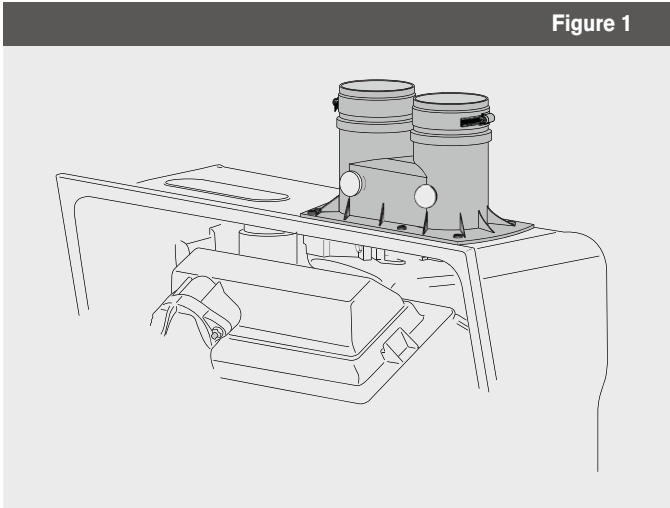
Technical service bulletin Vent Adaptor Change

Buderus

Introduction

The planned change to the GB142 vent adaptor, from aluminum to polypropylene, has now been released to the market. Boilers produced from March 2012, with a manufacturer's date code of '203', will have the new vent adaptor (Fig.1) supplied with the boiler package.

Figure 1



Serial Number Identification

To identify boilers with the new vent adaptor, locate the serial number to determine the manufacturer's date code (Fig.2).

Figure 2



Example:

A Buderus boiler serial number:

- ▶ 3290-**203**-000017-7746900214

This boiler is packaged with the new vent adaptor as the '203' identifies the boiler being manufactured in March (3rd Month) 2012. All GB142 boilers manufactured after March 2012 with a date code of '203' or greater will be packaged with the new polypropylene adaptor.

Additional Changes

The aluminum vent adaptor will be removed from the Low Loss Header Kit due to the product update.

The 3" x 3/4" PVC tee will no longer be supplied as it is no longer required in the vent installation.

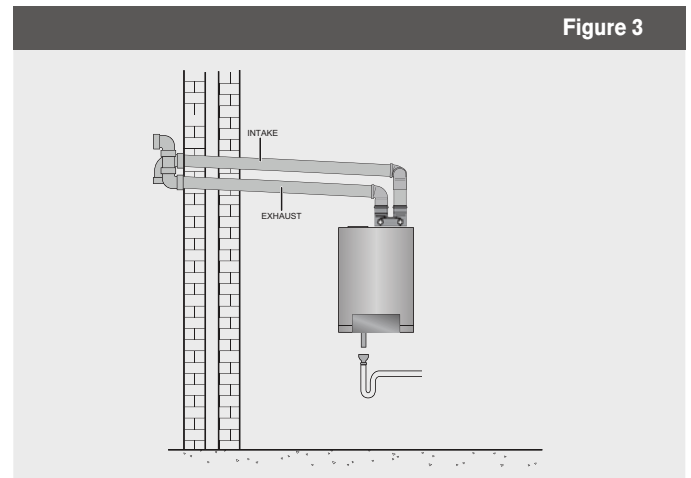
Benefits

- ▶ The polypropylene adaptor with internal condensate drain means a condensate tee will no longer be necessary in the vent system external to the boiler (see Fig.3).



Refer to the Installation Manual for all venting requirements.

Figure 3



- ▶ The contractor will have an easier installation as there will be no external condensate drain to be fitted.

- ▶ The polypropylene vent adaptor can be retro- fitted, if required, and can be used to replace the aluminum vent adaptor on existing GB142 installations.

Retro-fit kit part number: 8718 600 686



The part number for the latest Installation Manual with new vent adaptor is 7215 0200 (11/2011) US/CA. This can be found at www.buderus.us.

Buderus

Bosch Thermotechnology Corp.
50 Wentworth Ave
Londonderry, NH 03053
Tel: (800) 283-3787
Fax: (603) 965-7581
www.buderus.us