

Instructions for High Altitude

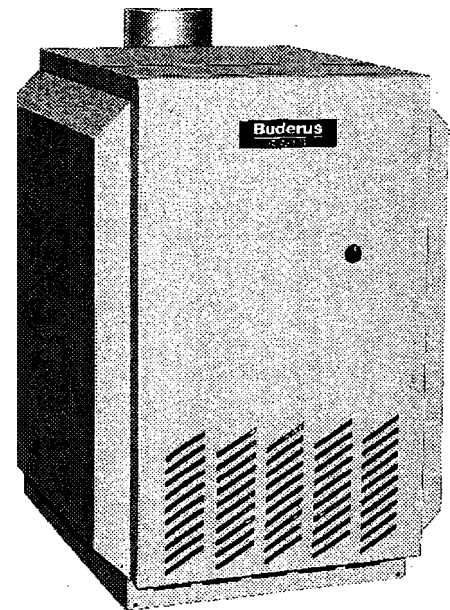
CONVERSION KIT for G 234 X series Boilers

This kit and instructions are for converting the G234 X Series Boilers for use at elevations above 2000ft.

REQUIRED INPUT RATES

G 234X-38 160 200 BTU/HR	G 234X-45 186 700 BTU/HR	G234X-55 228 400 BTU/HR	G 234X-64 266 400 BTU/HR
--------------------------------	--------------------------------	-------------------------------	--------------------------------

THE CONVERSION SHALL BE CARRIED OUT BY A MANUFACTURER'S AUTHORIZED REPRESENTATIVE, IN ACCORDANCE WITH THE REQUIREMENTS OF THE MANUFACTURER, PROVINCIAL OR TERRITORIAL AUTHORITIES HAVING JURISDICTION AND IN ACCORDANCE WITH THE REQUIREMENTS OF THE CAN/CGA- 8149.1 or CAN/CGA- B149.2 INSTALLATION CODES.



Notice: This manual must be retained for future reference!

Parts List for converting the boilers for high altitude installations

This kit contains the following parts:

- Main Gas Burner orifice and gaskets.
- Conversion data plate to be filled out and affixed to the appliance.
- Conversion Instructions.

TO CONVERT THE BOILER FOR USE AT HIGH ALTITUDE, THE FOLLOWING INSTRUCTIONS SHALL BE ADHERED TO

The boiler shall be converted prior to installation.

1. Remove Control Access Panel from the boiler, fig. 1
2. Remove main gas orifices and washers from burner assembly fig. 2.
3. Install new orifices and washers supplied with kit, ensure orifices are the proper size for your boiler application per the following tables, see page 3.
4. Fill out the required information on the conversion plate and affix the plate to the outside of the boiler jacket as close as possible to the existing rating plate.
5. If the boiler has not been placed into operation, follow the installation instructions in "The Installation, Operation and Maintenance Manual" supplied with the boiler.

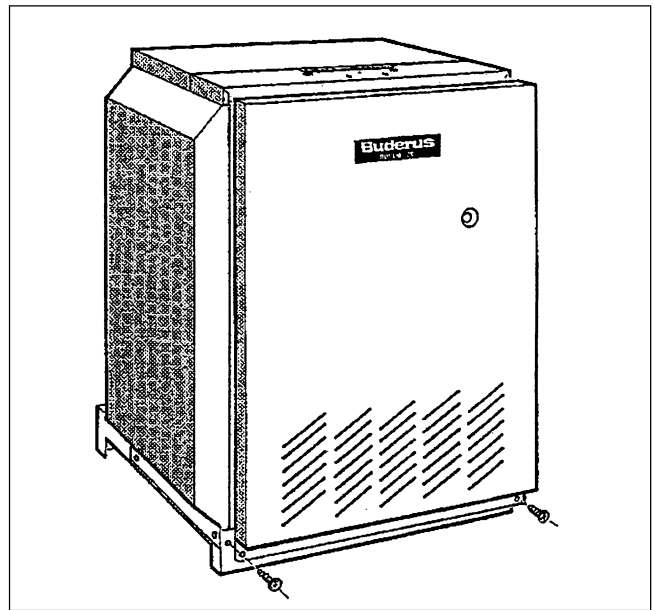


Fig.1

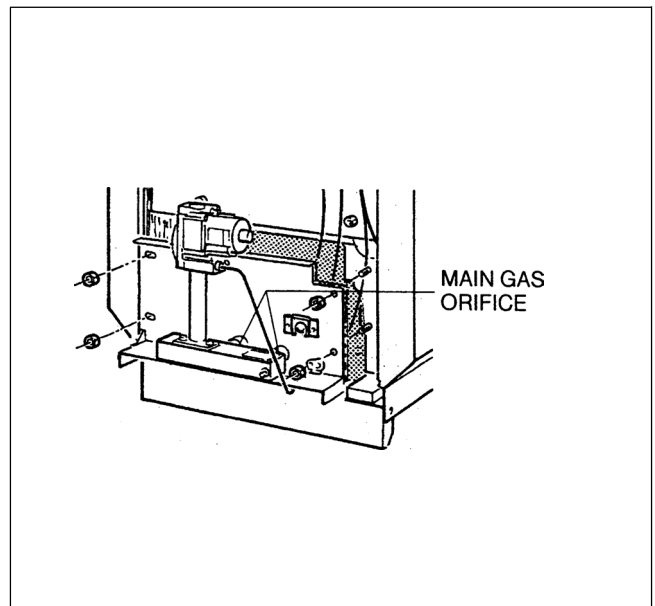


Fig.2

Orifice Sizes/Kit-Numbers - Propane Gas				
Elevation in feet				
Model	0-8500		8501-12000	
	Orifice Size	Kit-Number	Orifice Size	Kit-Number
G234X-38	2.20 mm	G 234 X 38 P 85	2.15 mm	G 234 X 38 P 12000
G234X-45	2.40 mm	G 234 X 45 P 85	2.35 mm	G 234 X 45 P 12000
G234X-55	2.30 mm	G 234 X 55 P 85	2.25 mm	G 234 X 55 P 12000
G234X-64	2.45 mm	G 234 X 64 P 85	2.40 mm	G 234 X 64 P 12000

Table 1

Orifice Sizes/Kit-Numbers - Natural Gas				
Elevation in feet				
Model	0-8500		8501-12000	
	Orifice Size	Kit-Number	Orifice Size	Kit-Number
G234X-38	3.70 mm	G 234 X 38 N 85	3.65 mm	G 234 X 38 N 12000
G234X-45	3.70 mm	G 234 X 45 N 85	3.65 mm	G 234 X 45 N 12000
G234X-55	3.50 mm	G 234 X 55 N 85	3.45 mm	G 234 X 55 N 12000
G234X-64	3.80 mm	G 234 X 64 N 85	3.75 mm	G 234 X 64 N 12000

Table 2

Manifold Pressure				
in inch wc				
Model	G234X-38	G234X-45	G234X-55	G234X-64
Propane Gas	10.6	10.5	10.3	10.3
Natural Gas	3.0	4.1	4.6	4.4

Table 3

Input Rate		
Elevation in feet		
Model	0-2000	2001-4500
G 234 X-38	160 200 BTU/h	144 10D BTU/h
G234 X-45	186 700 BTU/h	168 000 BTU/h
G 234 X-55	228 400 BTU/h	205 500 BTU/h
G 234 X-64	266 400 BTU/h	239 700 BTU/h

Table 4

Manufacturer:

Buderus Hydronic Systems, Inc.

16 Industrial Way

Salem, N.H. 03079

Phone: (603) 898-0505 Fax: (603) 898-1055

United States and Canada
Bosch Thermotechnology Corp.
50 Wentworth Avenue
Londonderry, NH 03053
Tel. 603-552-1100
Fax 603-965-7581
www.boschheatingandcooling.com
U.S.A.

Products manufactured by
Bosch Thermotechnik GmbH
Sophienstrasse 30-32
D-35576 Wetzlar
www.bosch-thermotechnology.com

Bosch Thermotechnology Corp. reserves the right
to make changes without notice due to continuing
engineering and technological advances.

Buderus