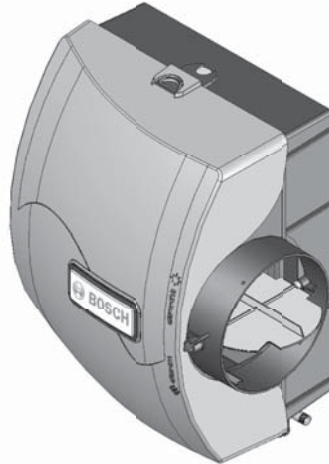




Models and Description



HUMBSBP-12H6--A



HUMBSBP-17H6--A

Bosch Model	Description
HUMBSBP-12H6--A	12 Gal/day Humidifier
HUMBLBP-17H6--A	17 Gal/day Humidifier

Engineering Specifications

The Humidifier (HUM) is part of Bosch's IAQ Series of products and strategy of Control-Filtration-Refresh. These humidifiers require 24 Volts to operate the water solenoid valve.

CONTROLS

The Bosch Humidifier comes with a humidistat that measures the humidity within the home and controls the opening and closing of the water solenoid valve. The water solenoid valve controls the flow of water through the humidifier.

When the humidifier is installed and operating, no adjustments are necessary other than setting the control knob on the humidistat to the desired level of humidification. The Bosch humidifier also comes with a manual damper to control air flow through the humidifier. In the winter months, point the damper lever to winter and this opens up the air flow for humidification. In the summer, point the damper to summer and it will stop the flow air through the humidifier.



WARNING:

Do not set relative humidity to high during cold weather. Excessive humidity may cause condensation on windows or in walls. Refer to recommended settings as describe in the Humidstat owners manual.

To turn off your humidifier for the summer, simply turn your humidistat to off and point the damper knob to summer.

OPERATION

Water will flow from your water source through the controlled solenoid valve. The water is then metered by way of a orifice, then flows into the distributor pan where the water is evenly distributed through the evaporator pad. Approximately 200 CFM of air is by-passed from the warm air plenum through the humidifier. Minerals are not blown into the air stream as occurs in atomizing humidifiers; they are left on the evaporator pad where a high percentage is carried off with the waste water. Yearly evaporator pad inspection is recommend to help prevent minerals from clogging up the drain.

WARRANTY

Each Humidifier comes with a 5-Year Limited Warranty. The evaporator pad comes with a one year limited warranty.

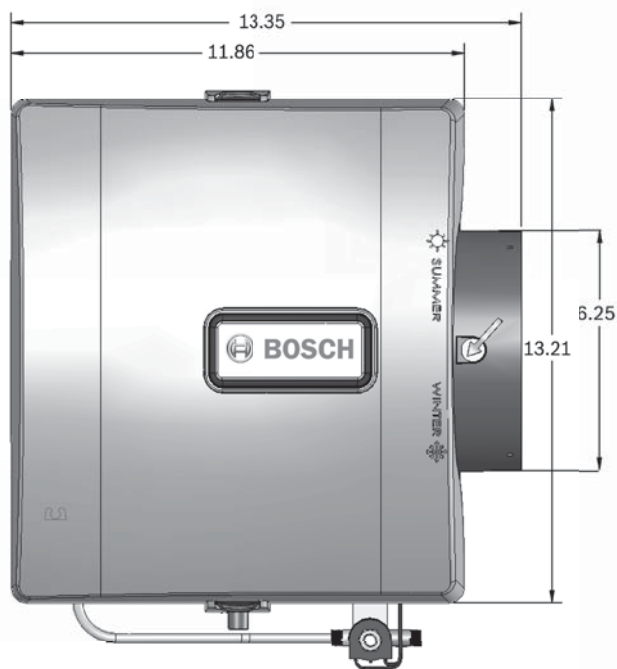
General Data		
	Unit	Value
HUMBSBP-12H6--A - Bosch part number	-	7738002895
HUMBSBP-17H6--A - Bosch part number	-	7738002896
HUMBSBP-12H6--A - replacement evaporator pad part number	-	7738002906
HUMBSBP-17H6--A - replacement evaporator pad part number	-	7738002907

Operational Data		
	Unit	Value
HUMBSBP-12H6--A		
Gallons per day	GPD	12
Loose (0.75 AC/H)	sq. ft.	800
Average (0.50 AC/H)	sq. ft.	1,200
Tight (0.30 AC/H)	sq. ft.	2,000
HUMBSBP-12H6--A		
Gallons per day	GPD	17
Loose (0.75 AC/H)	sq. ft.	1,115
Average (0.50 AC/H)	sq. ft.	1,650
Tight (0.30 AC/H)	sq. ft.	2,800

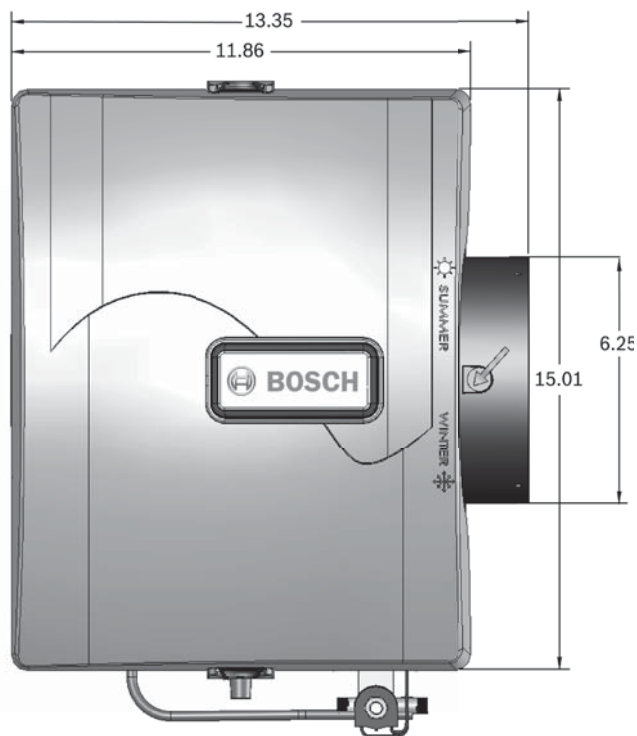
Performance Baseline Criteria		
	Unit	Value
Outside Design Temperature	°F [°C]	0 [18]
Outside Design R.H.	% R.H.	70
Inside Design Temperature	°F [°C]	70 [21]
Inside Design R.H.	% R.H.	30
Air Changes/hour	AC/H	0.30
Ceiling Height	Ft.	8
Furnace Plenum Temperature	°F [°C]	120 [49]
Furnace run time for calculating sq. ft.	hr/day	8/1



Humidifier Dimensions



HUMBSBP-12H6--A



HUMBSBP-17H6--A