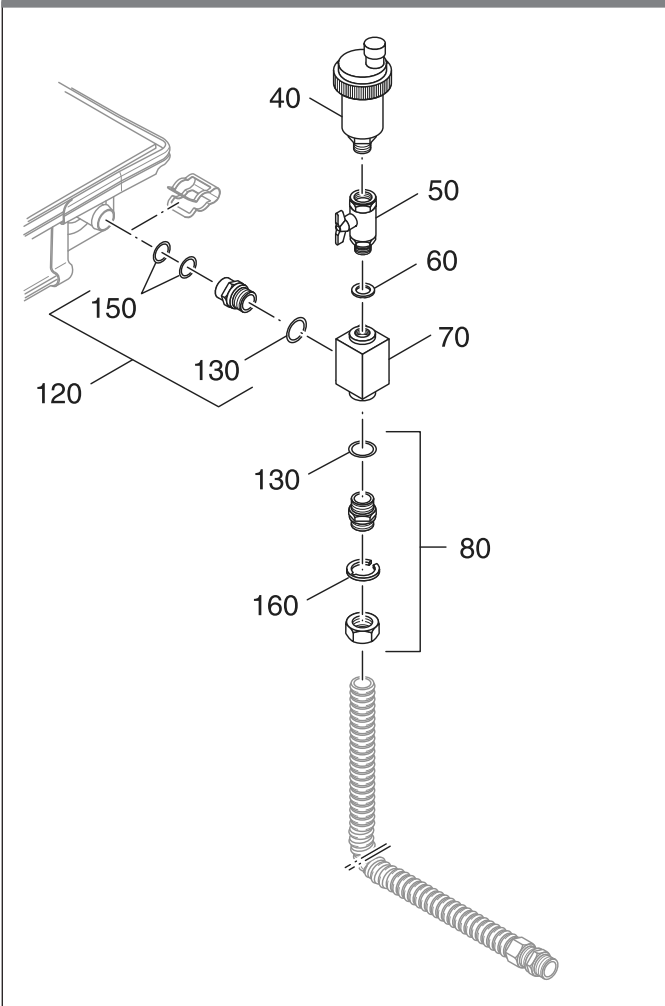


Air Vent Sets



Air Vent Set Dimensions for FKT-1 and SKS4.0



Air Vent Set Parts for FKT-1 and SKS4.0 (Part: 83077210)

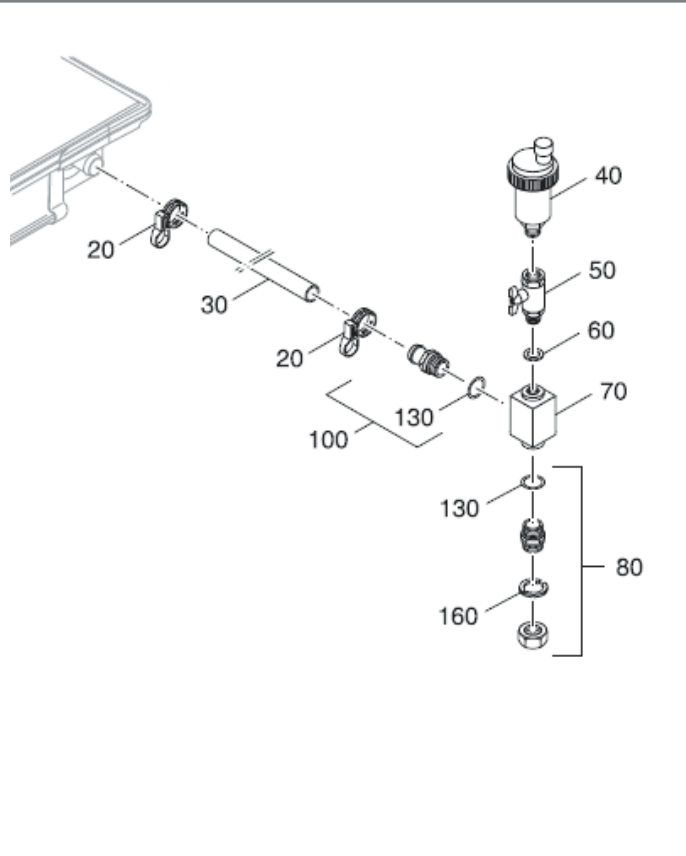
Item	Part #	Description	Weight
40	63015362	Quick vent valve autom R3/8 solar	0.86
50	85103282	Ball valve 3/8" wing grasp	0.55
60	63012692	Washer D17x24x2 AFM34 (5x)	0.04
70	63045299	Exhauster pot cast housing	0.88
80	87182237060	Double nipple 18 clamp G3/4 kpl	0.17
120	63045263	Nipple FKT/SKS 18 clamp G3/4 kpl	0.21
130	63045301	O-ring 25x3.0 shore70 (set of 5)	0.02
150	63045264	O-ring 15x3 SHORE70 EPDM291 (set of 5)	0.01
160	63020599	Stainless steel-Half-disk DN16x1.5 (set of 10)	0.033

Engineering Specifications

Solar heating systems consisting of 20 collectors or more shall be vented via responsive air vent valves at the highest point of the system. However, for systems consisting of less than 20 collectors, an air vent is optional when commissioning the system using a high volume and high pressure filling station with air separator.

Once filling has completed, the air vent valve must be closed to prevent evaporated solar fluid from escaping the system in the event of stagnation.

Air Vent Set Dimensions for FKC-1 and SKN3.0



Air Vent Set Parts for FKC-1 and SKN3.0 (Part: 83077200)

Item	Part #	Description	Weight
20	63045247	Hose Clamp	0.19
30	85336132	Solar hose 3/4"x40" (1000 mm)	1.54
40	63015362	Quick vent valve autom R3/8 solar	0.86
50	85103282	Ball valve 3/8" wing grasp	0.55
60	63012692	Washer D17x24x2 AFM34 (5x)	0.04
70	63045299	Exhauster pot cast housing	0.88
80	87182237060	Double nipple 18 clamp G3/4 kpl	0.17
100	63045263	Nipple FKC/SKN 18 clamp G3/4 kpl	0.21
130	63045301	O-ring 25x3.0 shore70 (set of 5)	0.02