

# Compress 3000

## Electric Heat Pump Water Heater

Engineering  
Submittal  
Sheet



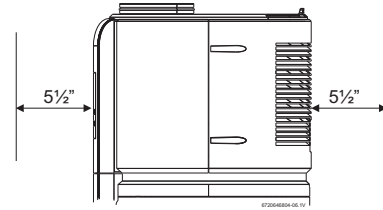
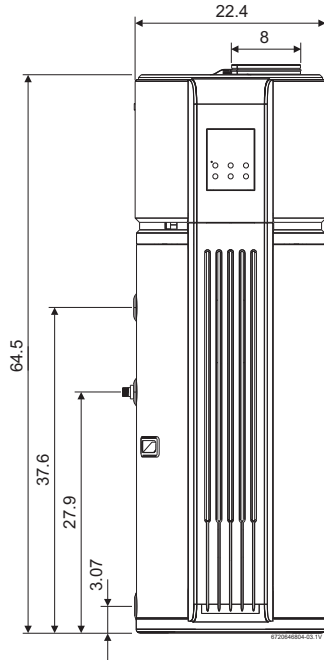
# BOSCH

Compress 3000 Specifications					
Running modes			Economy	Auto	E-heater
Running ambient temp.		°F	45 - 115	45 - 115	-5 - 130
Outwater Temp.		°F	Default 120°, 100°F - 140°F		
Power supply		Ph/V/Hz	1-240-60		
Storage size		US Gal	50		
Water heating	Capacity	kW / BTU/h	1.50 / 5123	1.50 / 5123	4.00 / 13661
	Max. input	kW / BTU/h	0.70 / 2732	4.50 / 15368	4.00 / 13661
	First Hour Rating	US Gal	-	58.00	52.00
	Max. current	A	6.5	21.6	18.7
Unit	Dimension (D×H)	inch	Ø22.4 × 64.5		
	Packing (W×H×D)	inch	25 × 68.5 × 27		
	Weight	lbs	209.4 / 242.5		
Noise level		dB(A)	48		
Refrigerant type/quantity		lbs	R134a/1.7		
Refrigerant design pressure		PSIA	331/86 at ambient 70°F		
Tank design pressure		PSI	150		
Throttling type			Thermal expansion valve		
System protection			TCO, TDO, P&T valve, over-load protector temp, ground fault protector etc.		
Air flow		Ft <sup>3</sup> /h	13066	9888	7063
Compressor	Brand / Model		Embraco / FFC110HBX		
	Type		Piston		
	Input	kW	0.7		
Fan motor	Brand / Model		Welling / YDK12-6B		
	Input	W	40		
	Speed	RPM	970	750	550
Water pipeline	Water inlet pipe		Male NPT ¾		
	Water outlet pipe		Male NPT ¾		
	Drainage pipe		Hose fitting NPT ¾		
	T&P valve connection		Female NPT ¾		
	Max. pressure	psi	145		
	Heat exchanger		Tank wrap type heat exchanger		
Venting	Vent diameter	inch	8		
	Maximum vent length	feet	16.5		
	Maximum air flow	CFM	219		
	Max. no. of elbows		1		
E-heater		kW	4.0 × 2		

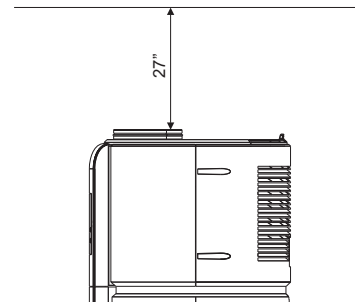
# Compress 3000 Electric Heat Pump Water Heater



## Compress 3000 Dimensions and Recommended Clearances

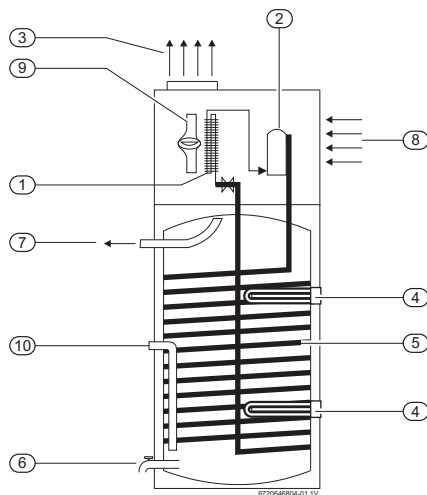


Clearance for front and rear shrouds



Top clearance for servicing

## Compress 3000 System Overview



- ① Evaporator / Air Heat Exchanger
- ② Compressor
- ③ Cooled / Dehumidified Air
- ④ Upper/Lower Electric element
- ⑤ Condensor Coil (heat exchanger)
- ⑥ Drain valve
- ⑦ Domestic Hot Water outlet
- ⑧ Ambient Room Air
- ⑨ Fan
- ⑩ Cold water supply