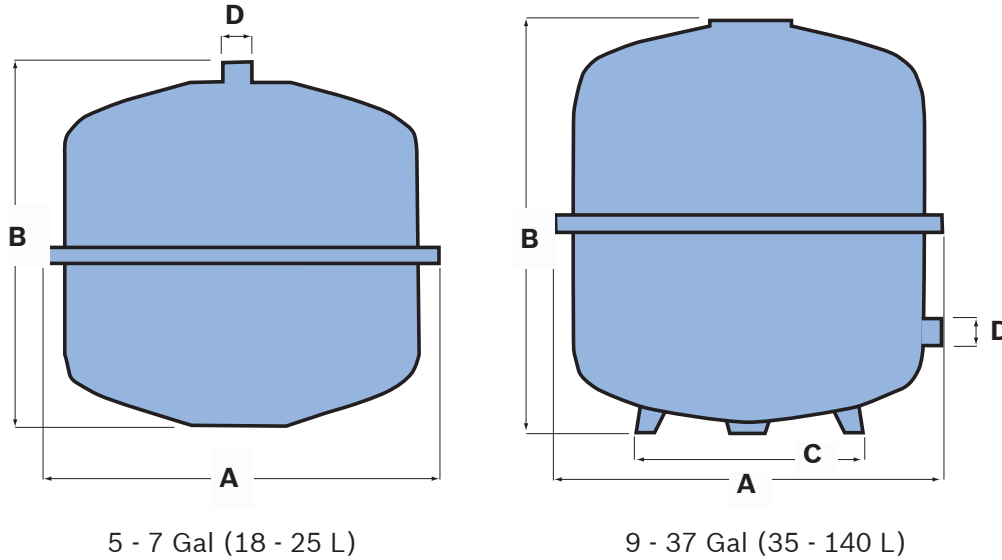




Expansion Tank Dimensions



Expansion Tank	Part #	Pre-pressure (psi/bar)	Dimensions (inches/mm)			Connection (male)	Weight (lbs/kg)	Max. operating pressure (psi/bar)
			A	B	C			
Expansion Tank 18L, 6 Bar White	7747202342	21.76/1.5	12.91/328	12.05/306	-	3/4"	16.53/7.5	87.02/6
Expansion Tank 25L, 6 Bar White	7747202343	21.76/1.5	14.09/358	14.13/359	-	3/4"	21.16/9.6	87.02/6
Expansion Tank 35L, 6 Bar White	7747202344	21.76/1.5	15.59/396	16.38/416	10.35/263	3/4"	26.01/11.8	87.02/6
Expansion Tank 50L, 6 Bar White	80432046	21.76/1.5	17.20/437	18.62/473	10.35/263	3/4"	33.29/15.1	87.02/6
Expansion Tank 80L, 6 Bar White	80432048	21.76/1.5	20.43/519	21.26/540	14.17/360	1"	48.72/22.1	87.02/6
Expansion Tank 100L, 6 Bar Blue	80657080	21.76/1.5	20.16/512	26.77/680	14.17/360	1"	45.2/20.5	87.02/6
Expansion Tank 140L, 6 Bar Blue	80657082	21.76/1.5	20.16/512	35.04/890	14.17/360	1"	63.05/28.6	87.02/6

Engineering Specifications

The following shall be the specifications for the diaphragm expansion vessel:

The diaphragm expansion vessel shall be designed and constructed of materials rated for closed loop solar thermal systems and propylene glycol solutions.

Expansion vessels shall be offered in sizes 18, 25, 35, 50, and 80 liters, with 18-25 liter units for wall bracket mounting, and 35-140 liter units for wall mounting or floor standing.

The expansion vessel shall be factory precharged at 22 psi and rated for a maximum pressure of 87 psi.

Sizes 18-50 liter units shall have a 3/4" connection, and 80-140 liter units shall have a 1" connection.

Expansion Tank Connection Set



Connection Set



1



2



3



4



5



6

AAS/Solar Expansion Tank Connection Set 18-50 L Tank

Reference #	Connection Set Contents (Part number: 63003891)	Quantity
1	Connection tube, stainless steel <i>Connection tube length, 24"</i> <i>Connection tube diameter, 3/4"</i>	1x
2	Mounting bracket	1x
3	Flexfast connection	1x
4	Gasket	2x
5	Lag bolts	2x
6	Plastic expansion anchors	2x

