

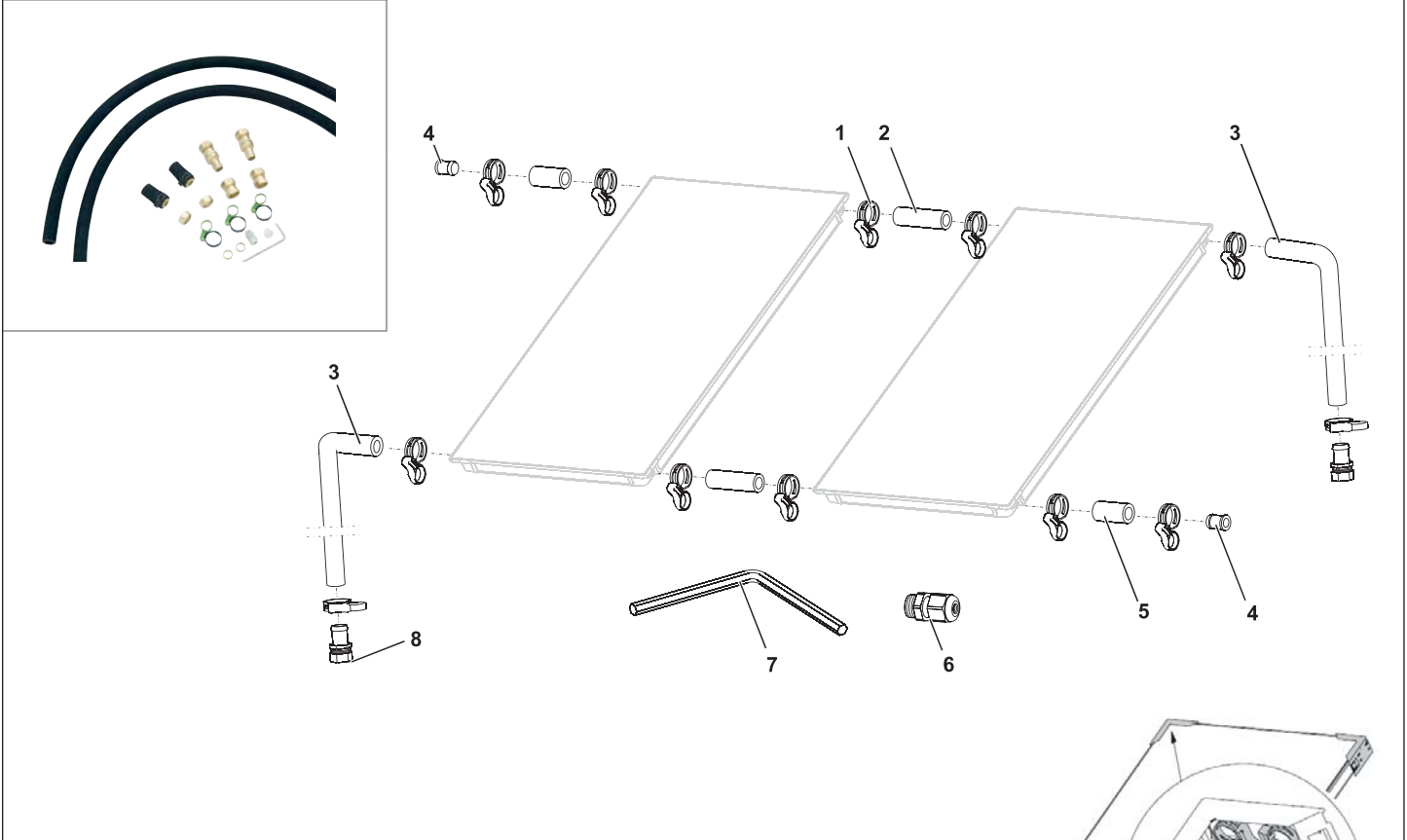
FKC-1 On-Roof Collector Connection Set

Engineering
Submittal
Sheet



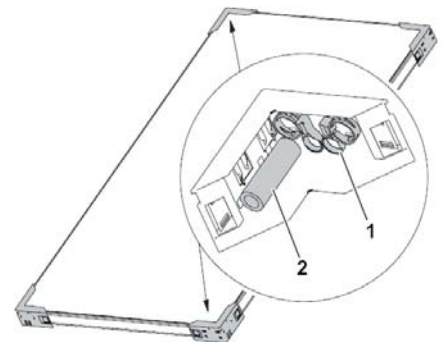
BOSCH

FKC-1 On-Roof Collector Connection Set



FKC-1 On-Roof Connection Set Per Collector Array (Fig. 1)

Reference #	Connection Set Contents (Part number: 7747021988)	Quantity
1	Hose clamp (2+1 spare)	3x
3	Solar hose, length 40" (1000 mm)	2x
4	Brass plug	2x
5	Solar hose, length 2" (55 mm)	2x
6	Sensor cable bushing	2x
7	No. 5 allen wrench	1x
8	Hose nozzle R 3/4" with 18 mm compression ring	2x
Not Shown	Plastic sensor well plug	1x



FKC-1 Collector Corner Set

Reference #	Collector Corner Set Contents	Quantity
1	Hose clamp	2x
2	Rubber collector connection	1x

Fig. 1 Connection kit and connection set (illustration shows 2 vertical collectors)

Engineering Specifications

One connection set shall be used for each collector array. The collectors shall be connected together using rubber connectors supplied with the collector corner pieces.