



FIELD CONVERSION OF AIR DISCHARGE HORIZONTAL UNITS

These instructions apply to the following units:
EM/EC series 015 through 070
GT/GS series 018 through 070
EV/ES series 018 through 070

Note: These instructions cover conversion between an end blow and straight through configuration only. It is not possible to convert the return air handling.

Note: This field conversion is best done on the ground before hanging the unit. If the unit is already hung we recommend that it be taken down before the conversion.

Procedure:

- 1) Locate access panel. Remove 3 screws at top and 3 screws at the bottom of the panel.
- 2) Remove access panel and put aside. Remove green motor ground wire from flange on access panel corner post.
- 3) Locate blower panel. Remove 3 screws from top and 3 screws from bottom of the panel. Leave blower panel in place on base pan.
- 4) Locate access panel corner post. Remove 2 screws from top and 4 screws from the bottom. Remove the corner post and set aside.
- 5) Now swing blower panel to desired location. Be careful not to pull electrical harness. See note below. There is a service loop in the blower compartment if more wire is needed.
- 6) Reinstall corner post. Rotate blower panel so that the motor is facing toward the access panel. Relocate green ground wire to corner post flange.
- 7) Reinstall blower panel.
- 8) Reinstall access panel.

Note: For units manufactured before 11/3/2003 the electrical service loop will be located in the compressor section.

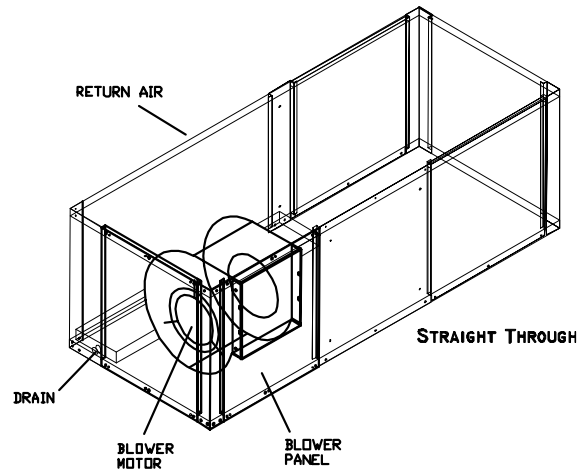


FIG 1. STRAIGHT THROUGH TO END BLOW CONVERSION

