

Technical Service Bulletin:

Boiler Pump Inspection

Models: Bosch Greenstar Combi, Bosch Greenstar



BOSCH

Introduction

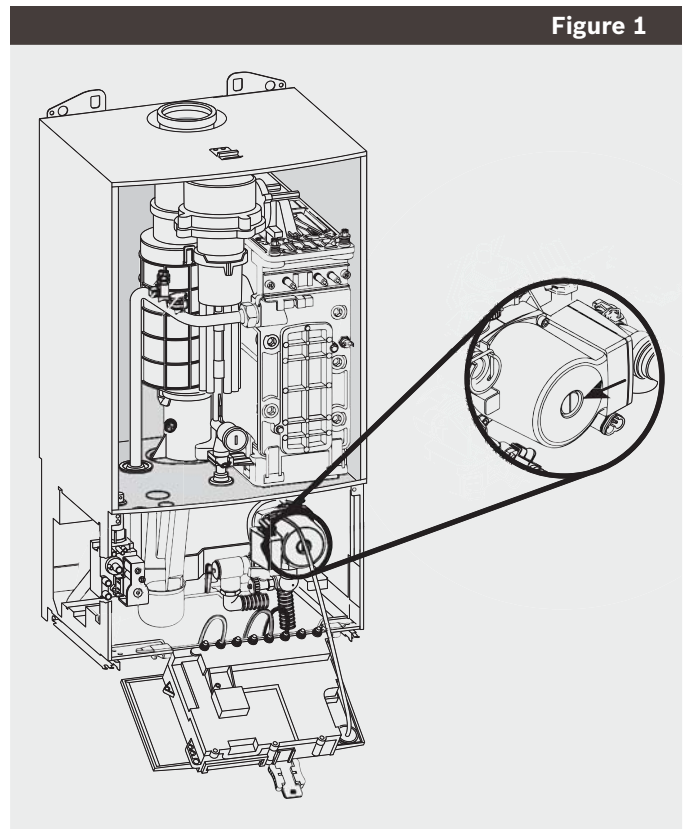
All of the boilers within the Bosch Greenstar series have an internal boiler pump. During the commissioning of the boiler it is recommended to check that the internal rotor of the pump is free to rotate.

Before filling the boiler with water

Upon commissioning and before filling the boiler with water, remove the stainless steel vent from the front of the pump. This will allow access to the top of the internal rotor. Using a small flat blade screwdriver, gently turn the internal rotor to ensure it spins freely. Replace the stainless steel vent cap on the front of pump when finished.

To purge air from the circulating pump once the boiler is filled with system water, undo the vent cap slowly until a small amount of water is released from the pump. The vent cap will not need to be removed completely. Once the circulating pump has been purged of air, tighten the vent cap. The remainder of the commissioning procedure as stated in the Installation Manual can now be completed.

Figure 1



BOSCH

Bosch Thermotechnology Corp.
50 Wentworth Avenue
Londonderry, NH 03053

Tel: 1-800-283-3787
Fax: 1-603-965-7581
www.bosch-climate.us