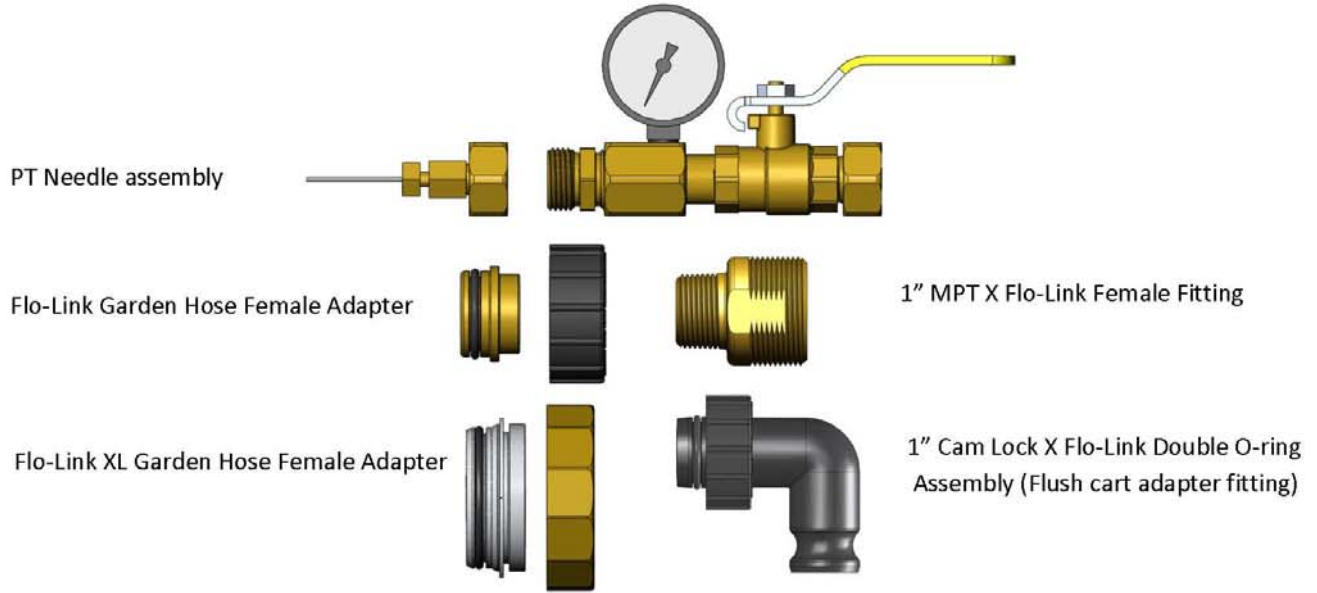
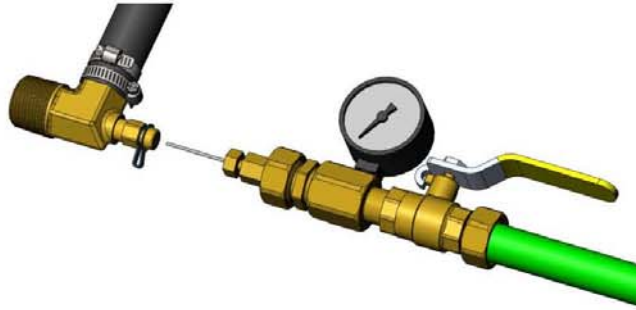


Multi-Use Tool Kit for Loop Pressurization and Flushing

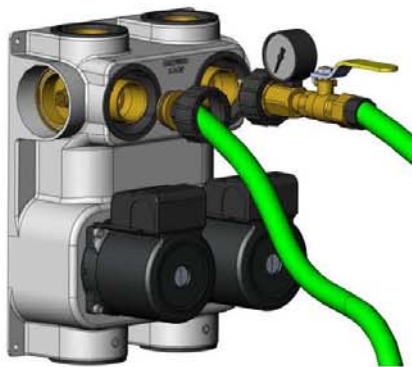
Geo-Gooser with modular attachments*



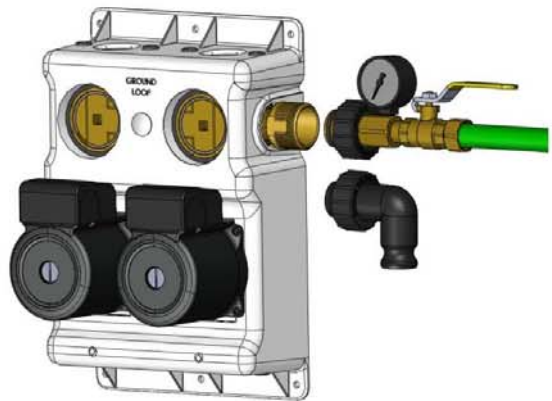
Bumping system pressure through PT port with a garden hose



Flo-Link double o-ring flow center



FPT flow center



*Attachments included in each kit varies.

Document PN GPC3520



BOSCH