

Product Information Notice

Models: GB142-24,30,45,60

Brand: Buderus

Subject: GB142 Vent Adaptor Inspection

Buderus



All work must be performed by a licensed contractor.

Summary

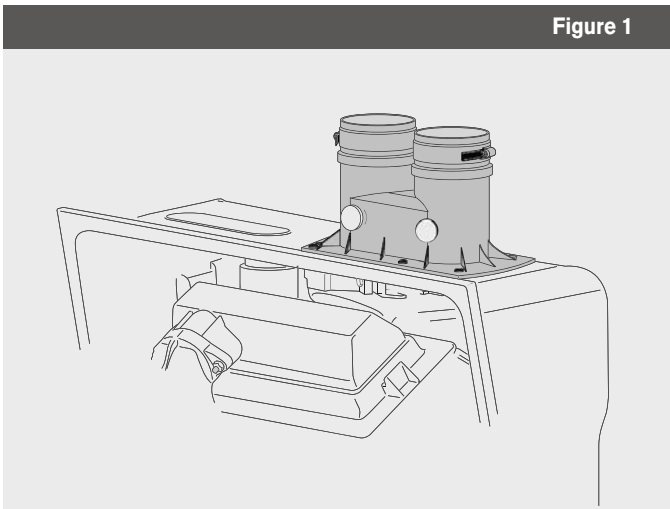
GB142 boilers produced prior to March 2012 were manufactured with an aluminum vent adaptor (p/n 28268). It has come to our attention that if an external condensate drain has not been installed or has been installed too far away from the GB142, accumulation of acidic condensate may cause corrosion of the aluminum vent adaptor (see Fig 2).

Field Response or Observation

If there is any evidence of damage to the vent adaptor the vent adaptor should be replaced.

The aluminum vent adaptor has been modified and is now made of polypropylene to eliminate corrosion of the vent adaptor (see Fig. 1).

Figure 1



The polypropylene adaptor (p/n 8718600686) has an internal condensate drain which eliminates the need for an external condensate tee previously required with the aluminum vent adaptor.

Figure 2



While there is nothing wrong with the quality of the original aluminum vent adaptor, if there is damage or a question of damage to the vent adaptor a replacement vent adaptor shall be provided by Bosch Thermotechnology at no charge.

Please contact customer service with model, serial number, and homeowner information at 1-800-283-3787.

Buderus

Bosch Thermotechnology Corp.
50 Wentworth Ave
Londonderry, NH 03053
Tel: (866) 642-3198
Fax: (603) 965-7581
www.buderus.us