



1 - STAGE HEAT, 1 - STAGE COOL THERMOSTAT
SPECIFICATION DATA SHEET

641-164

FHP MANUFACTURING MANUAL CHANGE OVER THERMOSTAT

SC 2001

**RELIABLE PERFORMANCE OF AN ELECTRONIC THERMOSTAT COMBINED WITH THIN-PROFILE
 SUBBASE MOUNTING PLATE - EXTENDS 1 1/4" FROM WALL.**

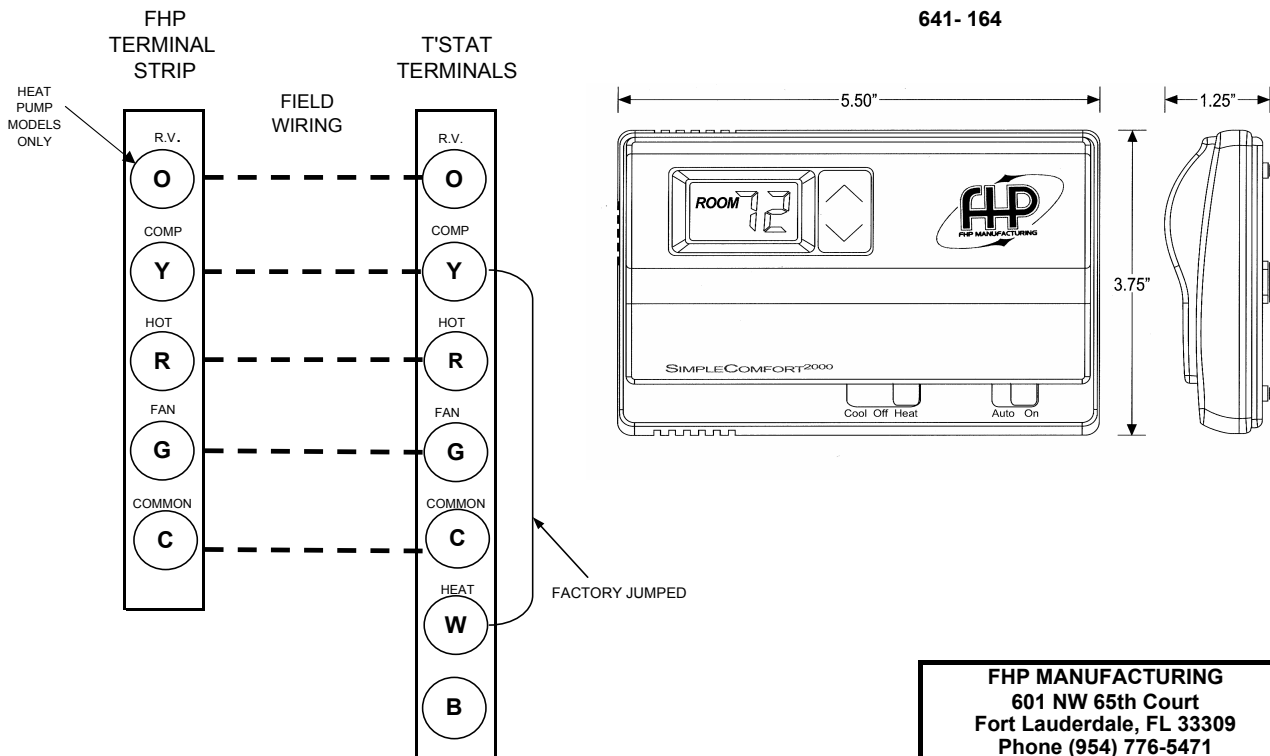
MANUFACTURER = ICM Corporation SimpleComfort SC2001

FEATURES:

- Electronic Thermostat - large LCD temperature display
- Mercury - free, environmentally safe
- Selectable Fahrenheit or Celsius display
- Freeze protection - If room temperature drops to 40 °F (4.4 °C) thermostat automatically turns on heat. (Stat in Heat Position)
- Built in anti short cycle protection - five minute delay between system turn-off and unit start
- Precision temperature sensing

SPECIFICATIONS:

- Selector Switch:** Fan: AUTO - ON
System: COOL - OFF - HEAT
- Switch Rating:** 1 amp per terminal (3 amp total for all terminals)
- Dimensions:** 3 3/4" H x 5 1/2"W x 1 1/4"D (95.3 H x 139.7 x 31.8 D mm)
- Electrical Rating:** 24 volts (18-30 VAC)
- Thermostat Style:** Horizontal Mount
- Wiring Diagram:** See Below (Typical Diagram, Special Applications may differ slightly)
- Range:** 45° F to 90° F (7° C to 32° C)
- Differential:** Adjustable 1 °F to 3 °F (0.5 °C to 1.7 °C)
- Color:** White



FHP MANUFACTURING
 601 NW 65th Court
 Fort Lauderdale, FL 33309
 Phone (954) 776-5471
 Fax (800) 776-5529
<http://www.fhp-mfg.com>

As a result of continuing research and development, specifications are subject to change without notice



1 - STAGE HEAT, 1 - STAGE COOL THERMOSTAT

SPECIFICATION DATA SHEET

FHP MANUFACTURING MANUAL CHANGE OVER THERMOSTAT

641-164

USED ON 'EM' Split Systems
SC2001

**RELIABLE PERFORMANCE OF AN ELECTRONIC THERMOSTAT COMBINED WITH THIN-PROFILE
SUBBASE MOUNTING PLATE - EXTENDS 1 1/4" FROM WALL.**

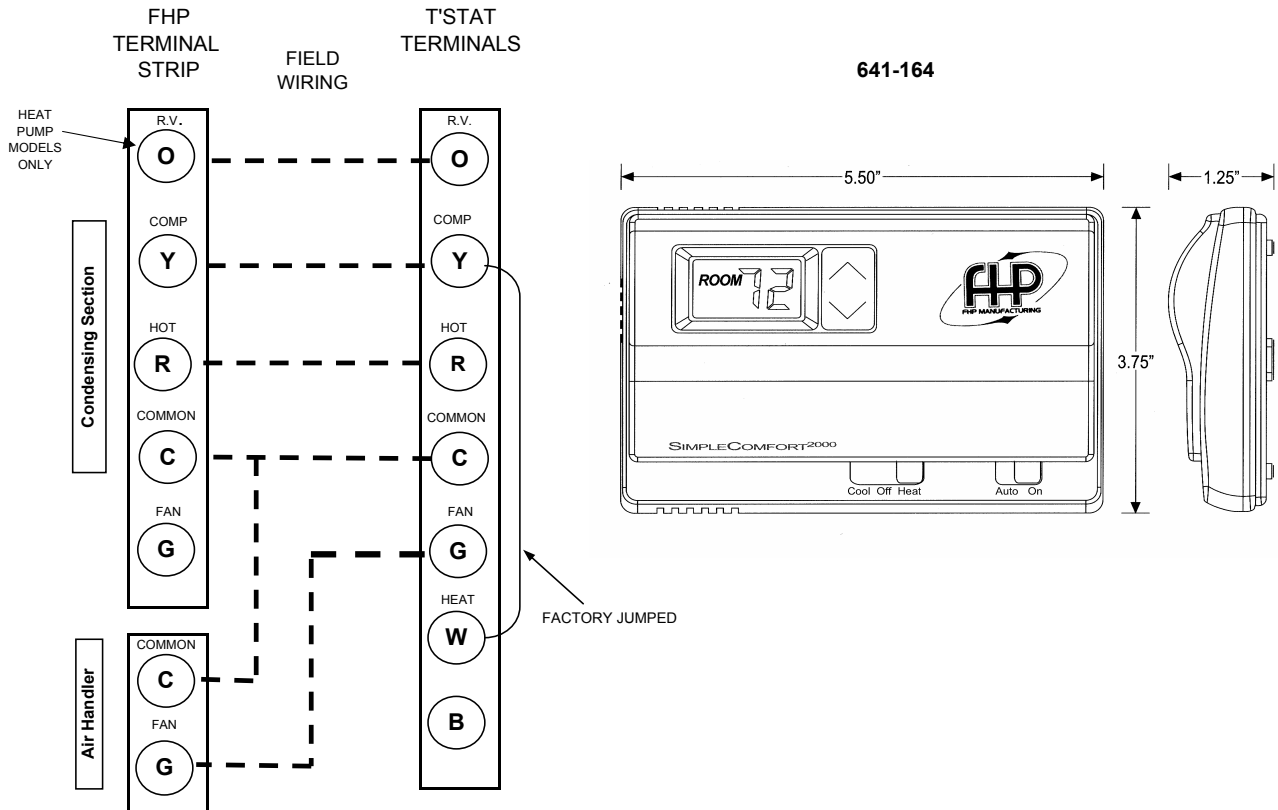
MANUFACTURER = ICM Corporation

FEATURES:

- Electronic Thermostat - large LCD temperature display
- Mercury - free, environmentally safe
- Selectable Fahrenheit or Celsius display
- Freeze protection - If room temperature drops to 40 °F (4.4°C) thermostat automatically turns on heat. (Stat in Heat Position)
- Built in anti short cycle protection - five minute delay between system turn-off and unit start
- Precision temperature sensing

SPECIFICATIONS:

- Selector Switch:** Fan: AUTO - ON
System: COOL - OFF - HEAT
- Switch Rating:** 1 amp per terminal (3 amp total for all terminals)
- Dimensions:** 3 3/4" H x 5 1/2"W x 1 1/4"D (95.3 H x 139.7 x 31.8 D mm)
- Electrical Rating:** 18-30 VAC
- Thermostat Style:** Horizontal Mount
- Wiring Diagram:** See Below (Typical Diagram, Special Applications may differ slightly)
- Range:** 45° F to 90° F (7° C to 32° C)
- Differential:** Adjustable 1 °F to 3 °F (0.5 °C to 1.7 °C)
- Color:** White



FHP MANUFACTURING
 601 NW 65th Court
 Fort Lauderdale, FL 33309
 Phone (954) 776-5471
 Fax (800) 776-5529
<http://www.fhp-mfg.com>

As a result of continuing research and development, specifications are subject to change without notice



2 - STAGE HEAT, 1 - STAGE COOL THERMOSTAT

SPECIFICATION DATA SHEET

FHP MANUFACTURING MANUAL CHANGE OVER THERMOSTAT

641-165

USED ON UNITS WITH
INTERNAL ELECTRIC HEAT

RELIABLE PERFORMANCE OF AN ELECTRONIC THERMOSTAT COMBINED WITH THIN-PROFILE
SUBBASE MOUNTING PLATE - EXTENDS 1 1/4" FROM WALL.

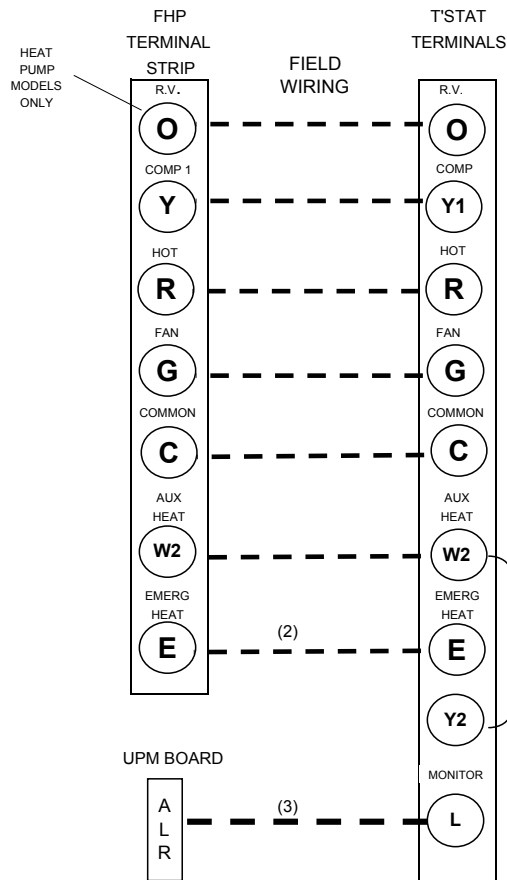
MANUFACTURER = ICM Corporation SC2201

FEATURES:

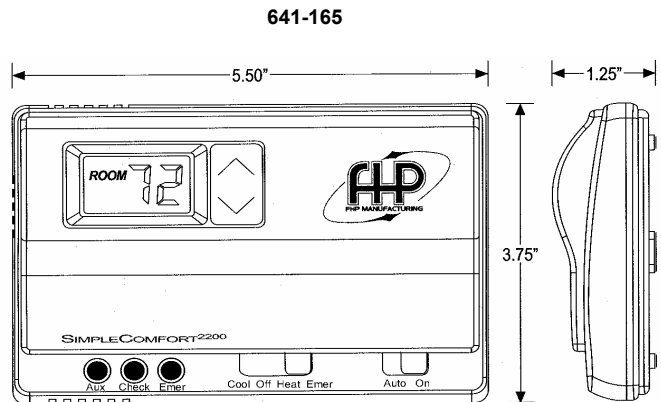
- Electronic Thermostat - large LCD temperature display
- Mercury - free, environmentally safe
- Selectable Farenheit or Celcius display
- Automatic heating system shutdown if temperature exceeds 90°F (30 °C)
- Built in anti short cycle protection - five minute delay between system turn-off and unit start
- Precision temperature sensing
- Adjustable differential settings
- Independent set points for Heat and Cool

SPECIFICATIONS:

- Selector Switch:** Fan: AUTO - ON
System: HEAT-OFF-COOL
- Switch Rating:** 1Amp per terminal (3 Amp total for all terminals)
- Dimensions:** 3.75" H x 5.5"W x 1.25"D (95.3 H x 139.7 W x 31.8 D mm)
- Electrical Rating:** 18-30 VAC
- Thermostat Style:** Horizontal Mount
- Wiring Diagram:** See Below (Typical Diagram, Special Applications may differ slightly)
- Range:** 45° F to 90° F (7° C to 32° C)
- Differential:** Adjustable 1 - 3 °F (0.5 °C - 1.5 °C)
Second Stage in Heating: 2°F (1 °C) below first stage (non adjustable)
- Color:** White



- NOTES:
- 1) FOR SECOND STAGE AUXILLIARY HEATING REMOVE FACTORY JUMPER W2 TO Y2
 - 2) FOR EMERGENCY HEATING ONLY DO NOT WIRE W2 TERMINALS
 - 3) FAULT MONITOR WIRED TO UNIT UPM BOARD TERMINAL ALR



FHP MANUFACTURING
 601 NW 65th Court
 Fort Lauderdale, FL 33309
 Phone (954) 776-5471
 Fax (800) 776-5529
<http://www.fhp-mfg.com>



2 - STAGE HEAT, 1 - STAGE COOL THERMOSTAT
FOR UNITS WITH ECM MOTORS

SPECIFICATION DATA SHEET

FHP MANUFACTURING MANUAL CHANGE OVER THERMOSTAT

641-165

USED ON GS/ES UNITS WITH
INTERNAL ELECTRIC HEAT

RELIABLE PERFORMANCE OF AN ELECTRONIC THERMOSTAT COMBINED WITH THIN-PROFILE
SUBBASE MOUNTING PLATE - EXTENDS 1 1/4" FROM WALL.

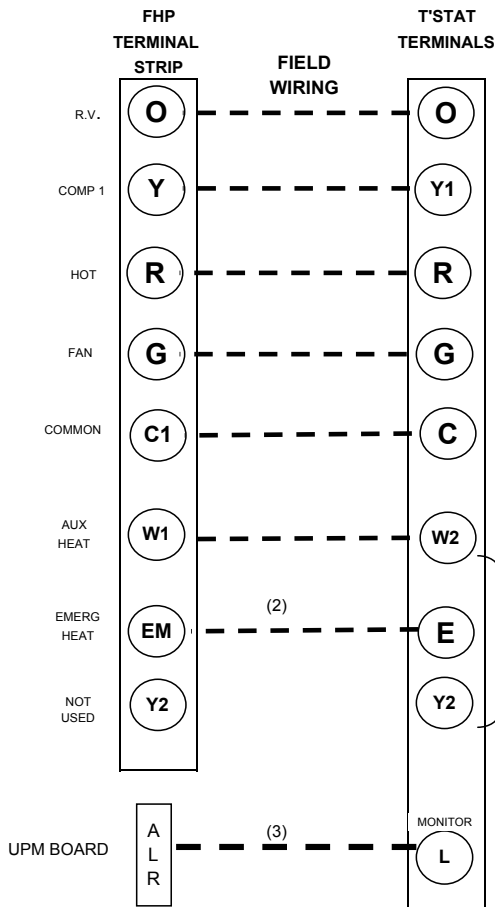
MANUFACTURER = ICM Corporation SC2201

FEATURES:

- Electronic Thermostat - large LCD temperature display
- Mercury - free, environmentally safe
- Selectable Farenheit or Celcius display
- Automatic heating system shutdown if temperature exceeds 90°F (30 °C)
- Built in anti short cycle protection - five minute delay between system turn-off and unit start
- Precision temperature sensing
- Adjustable differential settings
- Independent set points for Heat and Cool

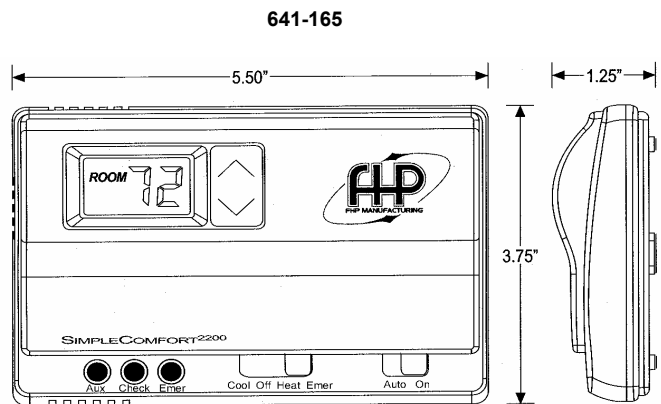
SPECIFICATIONS:

- Selector Switch:** Fan: AUTO - ON
System: HEAT-OFF-COOL
- Switch Rating:** 1Amp per terminal (3 Amp total for all terminals)
- Dimensions:** 3.75" H x 5.5"W x 1.25"D (95.3 H x 139.7 W x 31.8 D mm)
- Electrical Rating:** 18-30 VAC
- Thermostat Style:** Horizontal Mount
- Wiring Diagram:** See Below (Typical Diagram, Special Applications may differ slightly)
- Range:** 45° F to 90° F (7° C to 32° C)
- Differential:** Adjustable 1 - 3 °F (0.5 °C - 1.5 °C)
Second Stage in Heating: 2°F (1 °C) below first stage (non adjustable)
- Color:** White



NOTES:

- 1) FOR SECOND STAGE AUXILLIARY HEATING REMOVE FACTORY JUMPER W2 TO Y2
- 2) FOR EMERGENCY HEATING ONLY DO NOT WIRE W2 TERMINALS
- 3) FAULT MONITOR WIRED TO UNIT UPM BOARD TERMINAL ALR



FHP MANUFACTURING
601 NW 65th Court
Fort Lauderdale, FL 33309
Phone (954) 776-5471
Fax (800) 776-5529
<http://www.fhp-mfg.com>



2 - STAGE HEAT, 2 - STAGE COOL THERMOSTAT
SPECIFICATION DATA SHEET

641-165

FHP MANUFACTURING MANUAL CHANGE OVER THERMOSTAT

SC 2201

RELIABLE PERFORMANCE OF AN ELECTRONIC THERMOSTAT COMBINED WITH THIN-PROFILE SUBBASE MOUNTING PLATE - EXTENDS 1 1/4" FROM WALL.

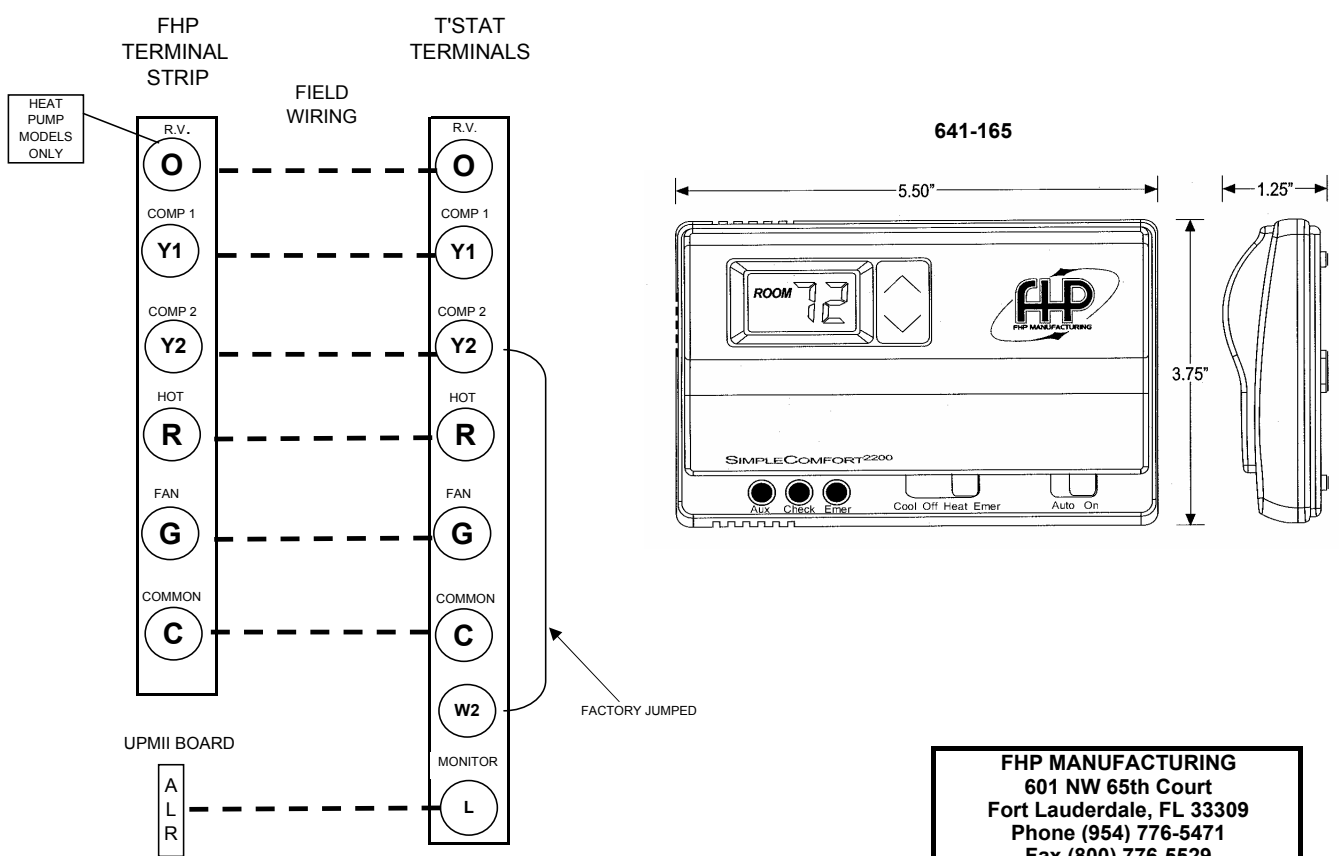
MANUFACTURER = ICM Corporation SimpleComfort 2201

FEATURES:

- Electronic Thermostat - large LCD temperature display
- Mercury - free, environmentally safe
- Selectable Fahrenheit or Celsius display
- Automatic heating system shutdown if temperature exceeds 90 °F (30 °C)
- Built in anti short cycle protection - five minute delay between system turn-off and unit start
- Precision temperature sensing
- Adjustable differential settings
- Independent set points for Heat and Cool

SPECIFICATIONS:

- Selector Switch:** Fan: AUTO - ON
System: HEAT-OFF-COOL
- Switch Rating:** 1A per terminal (3 Amp total for all terminals)
- Dimensions:** 3.75" H x 5.5"W x 1.25"D (95.3 H x 139.7 W x 31.8 D mm)
- Electrical Rating:** 18-30 VAC
- Thermostat Style:** Horizontal Mount
- Wiring Diagram:** See Below (Typical Diagram, Special Applications may differ slightly)
- Range:** 45° F to 90° F (7° C to 32° C)
- Differential:** Adjustable 1 - 3 °F (0.5 °C - 1.5 °C)
Second Stage in Cooling: 2° F (1 °C) above first stage (non adjustable)
Second Stage in Heating: 2° F (1 °C) below first stage (non adjustable)
- Color:** White



FHP MANUFACTURING
 601 NW 65th Court
 Fort Lauderdale, FL 33309
 Phone (954) 776-5471
 Fax (800) 776-5529
<http://www.fhp-mfg.com>

As a result of continuing research and development, specifications are subject to change without notice



2 - STAGE HEAT, 2 - STAGE COOL THERMOSTAT
SPECIFICATION DATA SHEET

641-165

FHP MANUFACTURING MANUAL CHANGE OVER THERMOSTAT

USED ON EM SPLIT SYSTEMS

**RELIABLE PERFORMANCE OF AN ELECTRONIC THERMOSTAT COMBINED WITH THIN-PROFILE
 SUBBASE MOUNTING PLATE - EXTENDS 1 1/4" FROM WALL.**

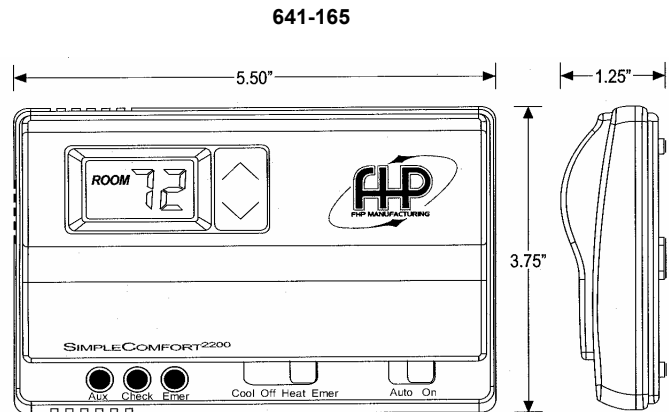
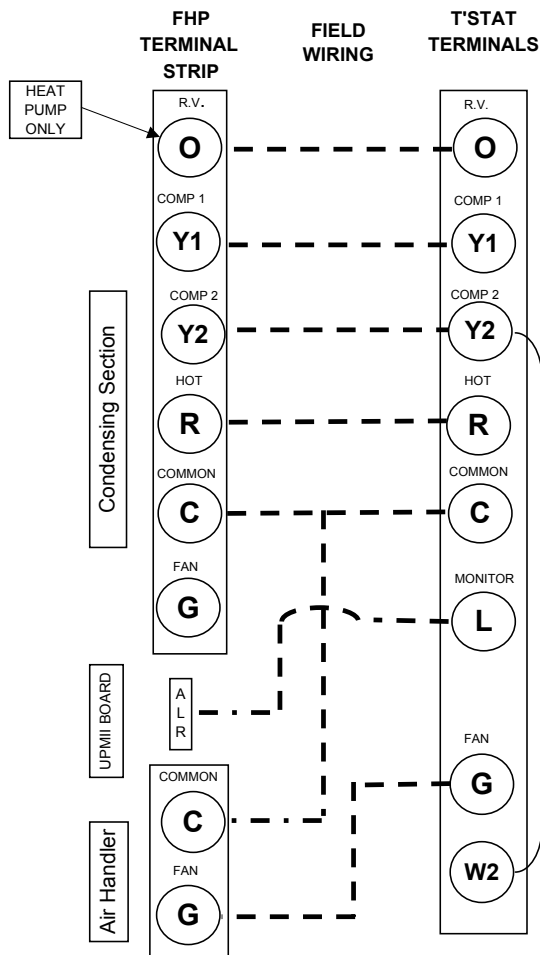
MANUFACTURER = ICM Corporation SimpleComfort 2201

FEATURES:

- Electronic Thermostat - large LCD temperature display
- Mercury - free, environmentally safe
- Selectable Fahrenheit or Celsius display
- Automatic heating system shutdown if temperature exceeds 90 °F (30 °C)
- Built in anti short cycle protection - five minute delay between system turn-off and unit start
- Precision temperature sensing
- Adjustable differential settings
- Independent set points for Heat and Cool

SPECIFICATIONS:

- Selector Switch:** Fan: AUTO - ON
System: HEAT-OFF-COOL
- Switch Rating:** 1A per terminal (3 Amp total for all terminals)
- Dimensions:** 3.75" H x 5.5"W x 1.25"D (95.3 H x 139.7 W x 31.8 D mm)
- Electrical Rating:** 24 volts (18-30 VAC)
- Thermostat Style:** Horizontal Mount
- Wiring Diagram:** See Below (Typical Diagram, Special Applications may differ slightly)
- Range:** 45° F to 90° F (7° C to 32° C)
- Differential:** Adjustable 1 - 3 °F (0.5 °C - 1.5 °C)
Second Stage in Cooling: 2° F (1 °C) above first stage (non adjustable)
Second Stage in Heating: 2° F (1 °C) below first stage (non adjustable)
- Color:** White



FHP MANUFACTURING
 601 NW 65th Court
 Fort Lauderdale, FL 33309
 Phone (954) 776-5471
 Fax (800) 776-5529
<http://www.fhp-mfg.com>



1 - STAGE HEAT, 1 - STAGE COOL THERMOSTAT
SPECIFICATION DATA SHEET
 PROGRAMMABLE THERMOSTAT

641- 166

FHP MANUFACTURING MANUAL/AUTOMATIC CHANGE OVER THERMOSTAT

SC 3801

*RELIABLE PERFORMANCE OF AN ELECTRONIC THERMOSTAT COMBINED WITH THIN-PROFILE
 SUBBASE MOUNTING PLATE - EXTENDS 1 1/4" FROM WALL.*

MANUFACTURER = ICM Corporation SimpleComfort 3801

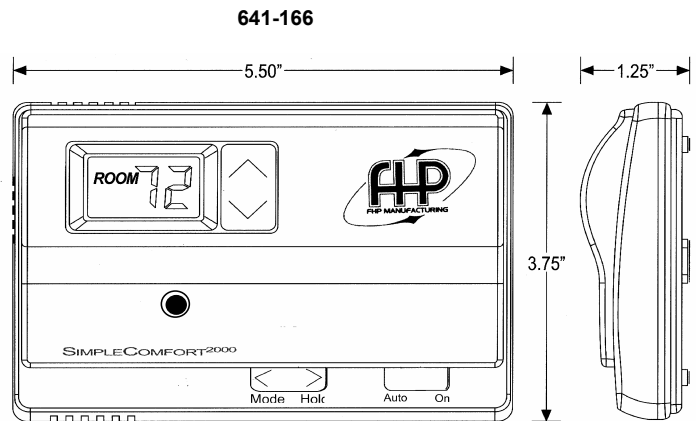
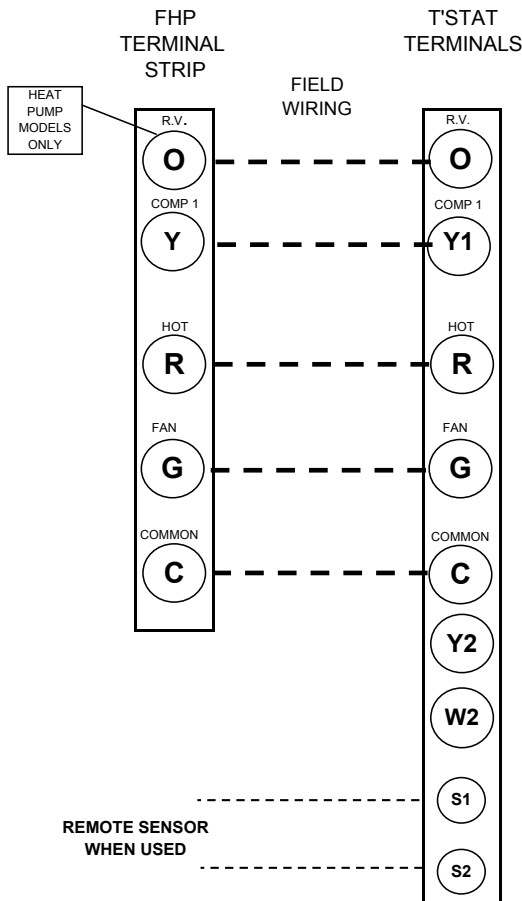
FEATURES:

- Electronic Thermostat - large LCD temperature display
- Mercury free, environmentally safe
- Configurable for Cooling only or Heat Pump operation
- Simple to program
- 7 Day Programmable four periods per day customizable for each day of the week
- Simpleset 7 Day Programming feature for faster setup
- Backlit display
- Precision temperature sensing
- Adjustable differential settings
- Independent set points for Heat and Cool
- Program not active in automatic change over mode

SPECIFICATIONS:

- Selector Switch:** Fan: Auto - On
System: Mode - Hold
- Switch Rating:** 1A per terminal (4 Amp total for all terminals)
- Dimensions:** 3.75" H x 5.5"W x 1.25"D (95.3 H x 139.7 W x 31.8 D mm)
- Electrical Rating:** 24 volt (18-30 VAC)
- Thermostat Style:** Horizontal Mount
- Wiring Diagram:** See Below (Typical Diagram, Special Applications may differ slightly)
- Range:** 45 °F to 99 °F
- Differential:** Adjustable 1 - 6 °F
Deadband difference between heating and cooling activation 1 - 6 °F

Color: White



FHP MANUFACTURING
 601 NW 65th Court
 Fort Lauderdale, FL 33309
 Phone (954) 776-5471
 Fax (800) 776-5529
<http://www.fhp-mfg.com>



2 - STAGE HEAT, 1 - STAGE COOL THERMOSTAT
SPECIFICATION DATA SHEET
PROGRAMMABLE THERMOSTAT

641- 166

FHP MANUFACTURING MANUAL/AUTOMATIC CHANGE OVER THERMOSTAT

SC 3801

*RELIABLE PERFORMANCE OF AN ELECTRONIC THERMOSTAT COMBINED WITH THIN-PROFILE
 SUBBASE MOUNTING PLATE - EXTENDS 1 1/4" FROM WALL.*

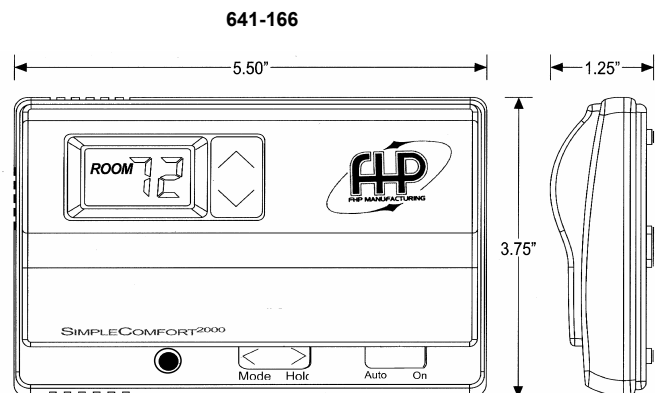
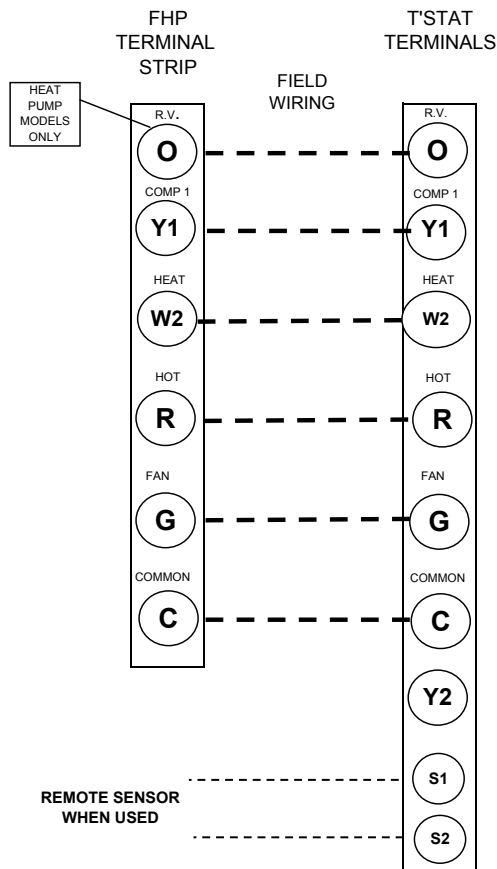
MANUFACTURER = ICM Corporation SimpleComfort 3801

FEATURES:

- Electronic Thermostat - large LCD temperature display
- Mercury free, environmentally safe
- Configurable for Cooling only or Heat Pump operation
- Simple to program
- 7 Day Programmable four periods per day customizable for each day of the week
- SimpleSet 7 Day Programming feature for faster setup
- Backlit display
- Precision temperature sensing
- Adjustable differential settings
- Independent set points for Heat and Cool
- Program not active in automatic change over mode

SPECIFICATIONS:

- Selector Switch:** Fan: Auto - On
 System: Mode - Hold
- Switch Rating:** 1A per terminal (4 Amp total for all terminals)
- Dimensions:** 3.75" H x 5.5"W x 1.25"D (95.3 H x 139.7 W x 31.8 D mm)
- Electrical Rating:** 24 volt (18-30 VAC)
- Thermostat Style:** Horizontal Mount
- Wiring Diagram:** See Below (Typical Diagram, Special Applications may differ slightly)
- Range:** 45 °F to 99 °F
- Differential:** Adjustable 1 - 6 °F
 Deadband difference between heating and cooling activation 1 - 6 °F
 Second Stage in Heating: 2 °F below first stage (non adjustable)
 Second Stage in Cooling: 2 °F above first stage (non adjustable)
- Color:** White



FHP MANUFACTURING
 601 NW 65th Court
 Fort Lauderdale, FL 33309
 Phone (954) 776-5471
 Fax (800) 776-5529
<http://www.fhp-mfg.com>

As a result of continuing research and development, specifications are subject to change without notice



2 - STAGE HEAT, 2 - STAGE COOL THERMOSTAT
SPECIFICATION DATA SHEET
PROGRAMMABLE THERMOSTAT

641-166

FHP MANUFACTURING MANUAL/AUTOMATIC CHANGE OVER THERMOSTAT

SC 3801

*RELIABLE PERFORMANCE OF AN ELECTRONIC THERMOSTAT COMBINED WITH THIN-PROFILE
 SUB BASE MOUNTING PLATE - EXTENDS 1 1/4" FROM WALL.*

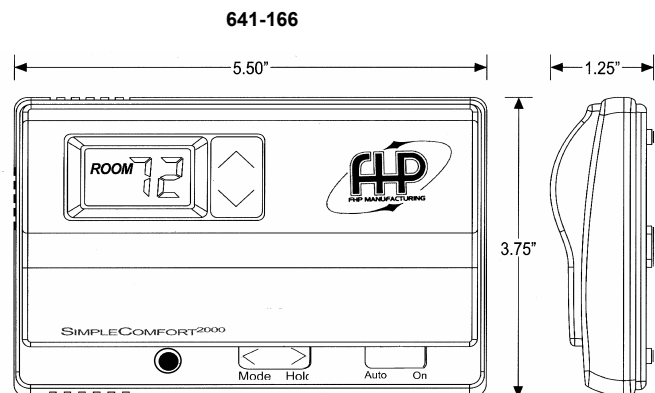
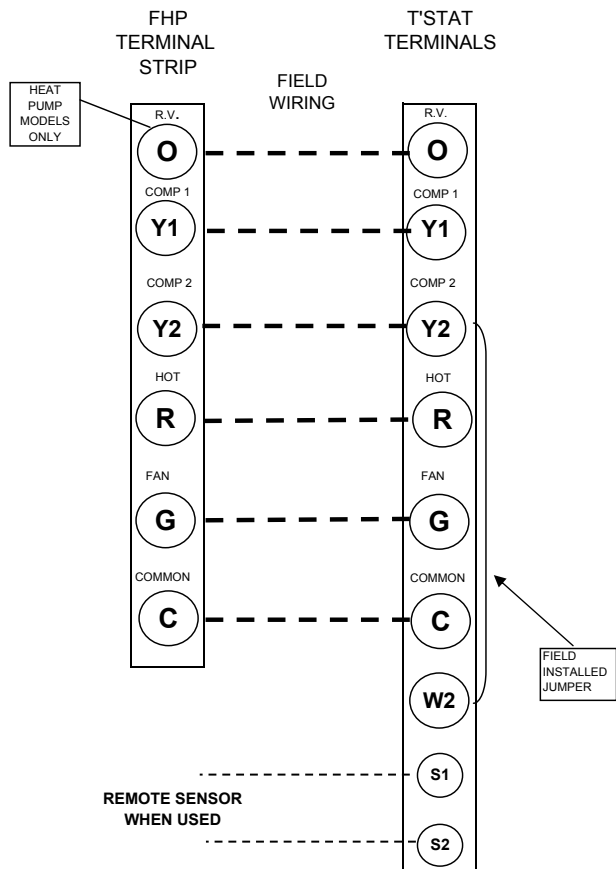
MANUFACTURER = ICM Corporation Simple Comfort 3801

FEATURES:

- Electronic Thermostat - large LCD temperature display
- Mercury free, environmentally safe
- Configurable for Cooling only or Heat Pump operation
- Simple to program
- 7 Day Programmable four periods per day customizable for each day of the week
- Simpleset 7 Day Programming feature for faster setup
- Backlit display
- Precision temperature sensing
- Adjustable differential settings
- Independent set points for Heat and Cool
- Program not active in automatic change over mode

SPECIFICATIONS:

- Selector Switch:** Fan: Auto - On
System: Mode - Hold
- Switch Rating:** 1A per terminal (4 Amp total for all terminals)
- Dimensions:** 3.75" H x 5.5"W x 1.25"D (95.3 H x 139.7 W x 31.8 D mm)
- Electrical Rating:** 24 volt (18-30 VAC)
- Thermostat Style:** Horizontal Mount
- Wiring Diagram:** See Below (Typical Diagram, Special Applications may differ slightly)
- Range:** 45 °F to 99 °F
- Differential:** Adjustable 1 - 6 °F
Deadband difference between heating and cooling activation 1 - 6 °F
Second Stage in Cooling: 2 °F above first stage (non adjustable)
Second Stage in Heating: 2 °F below first stage (non adjustable)
- Color:** White



FHP MANUFACTURING
 601 NW 65th Court
 Fort Lauderdale, FL 33309
 Phone (954) 776-5471
 Fax (800) 776-5529
<http://www.fhp-mfg.com>