



Tilt Mounting System Components

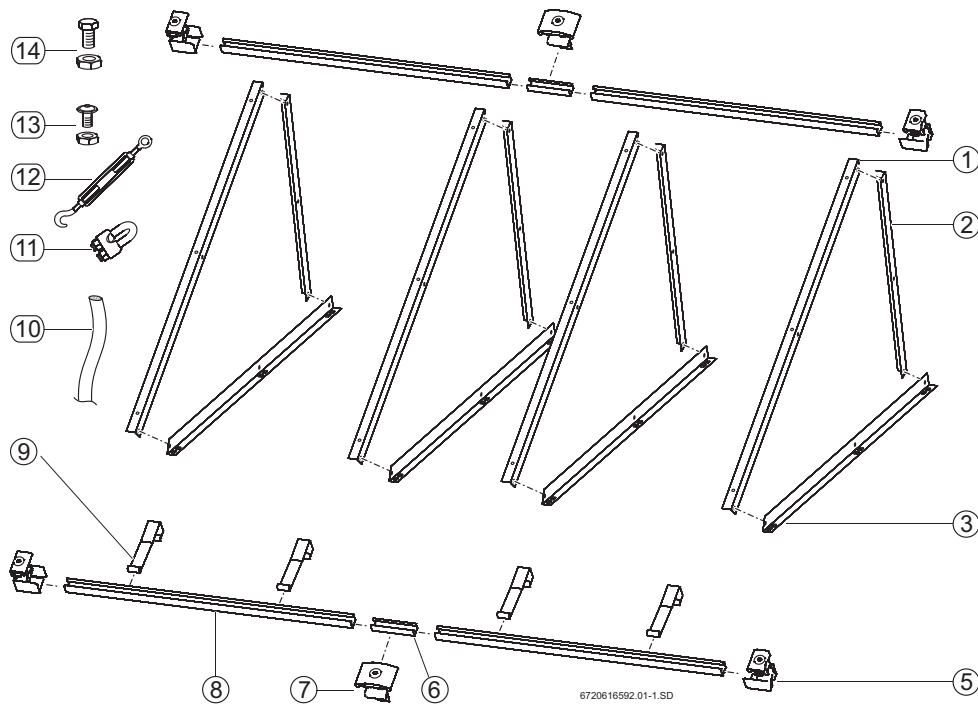


Fig. 1 Installation set for 2 collectors – 1 basic installation set, 1 extension installation set

Basic installation set required for first collector in each array
Optional use for all other collectors in the same array
(part #7747025400 portrait; 7747025405 landscape)

Item 1:	Collector brace	2x
Item 2:	Rear rail	2x
Item 3:	Lower rail	2x
Item 10*:	Guy wire 134" (3400mm)	1x
Item 11*:	Cable clamp	2x
Item 12*:	Turnbuckle	1x
Item 13**:	Screw M8 x 20 and nuts	7x
Item 14:	Screw M10 x 20 and nuts	6x

Auxiliary, Basic Roof Mounting Set
(part #7739300444 portrait; 7739300446 landscape)

Item 5:	Single-sided collector clamp	4x
Item 8:	Profile rail	2x
Item 9:	Collector hanger	2x
Item 13:	Screw M8 x 20	4x

Extension installation set for each additional collector
(part #7747025401 portrait; 7747025406 landscape)

Item 1:	Collector brace	2x
Item 2:	Rear rail	2x
Item 3:	Lower rail	2x
Item 13:	Screw M8 x 20 and nuts	4x
Item 14:	Screw M10 x 20 and nuts	6x

Extension installation set for each additional collector
(part #7747025401 portrait; 7747025406 landscape)

Item 6:	Profile connector with threaded pins	2x
Item 7:	Double-sided collector clamp	2x
Item 8:	Profile rail	2x
Item 9:	Collector hanger	2x
Item 13:	Screw M8 x 20	4x

* Only for Portrait
 ** For Landscape collector: 4x



Component Specifications					
Portrait			Landscape		
Part	Length	Weight	Part	Length	Weight
Bracket*	–	7.7 lbs (3.50 kg)	Bracket	–	3.1 lbs (1.42 kg)
Base Rail	70.9 in (180 cm)	2.3 lbs (1.03 kg)	Base Rail	36.6 in (93.0 cm)	1.3 lbs (0.53 kg)
Collector Base	73.0 in (185 cm)	2.4 lbs (1.07 kg)	Collector Base	38.0 in (96.5 cm)	1.2 lbs (0.56 kg)
Rear Rail	43.5 in (110 cm)	1.4 lbs (0.64 kg)	Rear Rail	22.6 in (57.5 cm)	0.7 lbs (0.33 kg)
Center Rail	22.9 in (58.2 cm)	0.7 lbs (0.33 kg)			
Upper Profile Rail	45.9 in (116.5 cm)	2.9 lbs (1.3 kg)	Upper Profile Rail	82.3 in (209.0 cm)	5.5 lbs (2.5 kg)
Lower Profile Rail	45.9 in (116.5 cm)	2.9 lbs (1.3 kg)	Lower Profile Rail	82.3 in (209.0 cm)	5.5 lbs (2.5 kg)
Basic Tilt Mount Set**	–	22 lbs (9.6 kg)	Basic Tilt Mount Set**	–	18 lbs (7.8 kg)
Extension Tilt Mount Set**	–	22 lbs (9.6 kg)	Extension Tilt Mount Set**	–	18 lbs (7.8 kg)

* Does not include the center rail in weight calculation

** Only includes the brackets and profile rails in weight calculation

Engineering Specifications

The following shall be the specifications for the tilt mounting system. The system for tilt mounting shall be constructed of extruded aluminum profiles with possible inclinations of the collectors at 15°, 20° and 35°.

Tilt mounting shall be possible with portrait and landscape Buderus SKS4/SKN3 and Bosch FKT-1/FKC-1 collectors.

The collectors shall be attached to horizontal rails that span from one end of the racking system to the other. Collectors on either end of a rack shall be held in place by single sided clamps, and adjacent collectors by double sided clamps.

The tilt mount racks shall permit attaching to the building sub structure, or with roof jacks suitable for the roof type.

The weight of the tilt mounting hardware shall not exceed 22 lbs (9.6 kg) per collector for portrait collectors and 18 lbs (7.8 kg) per collector for landscape collectors. The weight of the collector plus tilt mounting hardware shall not exceed 122 lbs (56 kg) per collector for portrait collectors and 120 lbs (55 kg) per collector for landscape collectors.

The tilt mounting system shall be suitable for a max. standard snow load of 42 lbs/sqft and an installation height of max. 66 ft. Using a high load accessory rail, the system shall be rated for a max. standard snow load of 65 lbs/sqft, a maximum wind speed of 91 mph, and a max. installation height of 66 ft.